

NOVAR 2100 NOVAR 2200 Power Factor Controllers *Operating Manual*

Document revision	Release date	Valid for versions			
		hardware	bootloader	firmware	ENVIS
1.3	15.6.2020	2.6	4.0	3.0.33	1.8



LIST OF CONTENTS

1. GENERAL.....	5
1.1 Common features.....	5
1.2 Operation.....	6
2. INSTALLATION.....	9
2.1 Physical.....	9
2.2 Instrument Connection.....	9
2.2.1 Power Supply and Measuring Voltage.....	9
2.2.1.1 NOVAR 2100.....	9
2.2.1.2 NOVAR 2200.....	10
2.2.2 Measuring Current.....	10
2.2.3 Relay Outputs.....	11
2.2.4 Digital Input.....	11
3. COMMISSIONING.....	12
3.1 Measured Electrical Quantities Installation Setup.....	12
3.1.1 Setup Example.....	13
3.1.2 Connection Setup.....	14
3.1.2.1 Connection Type 1Y3 / 1D3.....	14
3.1.2.2 Angle of Voltage Connected to the U1 Input (<i>U1-Angle</i>).....	14
3.1.2.3 ACD Process – Automatic Connection Detection.....	15
3.1.3 PFC Setup.....	17
3.1.3.1 PFC Output Setup.....	17
3.1.3.2 Automatic Output Recognition (AOR) Process.....	18
3.1.3.3 PFC Output & PFC Alarms Setup.....	20
4. DETAILED DESCRIPTION.....	21
4.1 Basic Functions.....	21
4.2 Measured Data & Status Presentation.....	21
4.2.1 Measured Data Screen.....	22
4.2.2 Average Values.....	23
4.2.3 Full Spectrum Values <i>P/Q/PF</i> & Fundamental Harmonic Values <i>Pfh/Qfh/cosφ</i>	24
4.2.4 Fundamental Harmonic Power Factor Formats <i>cosφ/tanφ/φ</i>	24
4.2.5 Deviation Flag.....	25
4.2.6 THDs, CHL and Harmonics.....	25
4.2.7 Electricity Meter.....	26
4.2.7.1 “4E+MD” Display Mode.....	26
4.2.7.2 “8E” Display Mode.....	27
4.2.8 Outputs State.....	27
4.2.8.1 Outputs No. 19 ÷ 24 State.....	27
4.2.9 State Indicators.....	28
4.2.9.1 Main Operating States.....	28
4.2.9.2 Alarm.....	28
4.2.9.3 Active Power Export.....	29

4.2.9.4	Digital Input State.....	29
4.2.9.5	Instrument Setup Indicator.....	29
4.3	Setup Parameters.....	29
4.3.1	Parameter Checking & Editing.....	29
4.3.1.1	Side Branch Parameters.....	30
4.3.2	Installation Parameters.....	31
4.3.2.1	Instrument Lock – Parameter No. 00.....	31
4.3.2.2	Current and Voltage Multiplier.....	32
4.3.2.3	Backlight Parameter, No. 80.....	33
4.3.2.4	Other Parameters.....	33
4.3.3	PFC Control Parameters.....	33
4.3.3.1	Target Power Factor for Tariff 1/2, Parameter No. 01/06.....	33
4.3.3.2	Control Bandwidth on High Loads for Tariff 1/2, No. 01/06.....	34
4.3.3.3	Control Time for Tariff 1/2, No. 02/07.....	35
4.3.3.4	Offset Power for Tariff 1/2, No. 03/08.....	35
4.3.3.5	Tariff 2 Control, No. 05.....	36
4.3.3.6	Tariff 2 Control Power, No. 10.....	36
4.3.3.7	Choke Control & Choke Control Limit Power Factor, No. 12.....	37
4.3.3.7.1	Mixed Choke Control.....	37
4.3.3.7.2	Choke Control Limit Power Factor (for Mixed Choke Control).....	38
4.3.3.7.3	Non-Mixed Choke Control.....	38
4.3.3.8	Offset Control, No. 13.....	38
4.3.4	PFC Output Parameters.....	39
4.3.4.1	Automatic Output Recognizer (AOR) Launch, No. 20.....	39
4.3.4.2	Manual Output Type & Power Filler, No. 21.....	40
4.3.4.3	Output Type & Nominal Power, No. 25.....	41
4.3.4.4	Output Control State, No. 26.....	42
4.3.4.5	Output Switch Count & Switch-On Time, No. 27, 28.....	42
4.3.4.6	Fan / Heater Temperature Thresholds, No. 29 ÷31.....	43
4.3.4.7	Output Set 2, No. 33.....	43
4.3.4.8	Discharge Time for Output Set 1 / 2, No. 34.....	44
4.3.4.9	Switching Mode, No. 35.....	44
4.3.5	PFC Alarm Parameters.....	45
4.3.5.1	Standard Type Alarms.....	48
4.3.5.2	Fast Actuation Reaction Alarms.....	48
4.3.5.3	NS> - “Number of Switching Operations Exceeded” Alarm.....	49
4.3.5.4	OE - “Output Error” Alarm.....	49
4.3.5.5	T1>< (T2><) - “Temperature Exceeded/Drop” Alarm.....	50
4.3.5.6	OoC - “Out of Control” Alarm.....	50
4.3.5.7	RCF - “Remote Control Failure” Alarm.....	51
4.4	Instrument Operation.....	52
4.4.1	Control State.....	52
4.4.1.1	Control Time Actual State.....	53
4.4.2	Standby State, Standby Cause.....	53
4.4.3	Manual State.....	54
4.4.4	Manual Intervention in Control Process.....	55
4.4.5	Power Factor Block Factory Setting.....	55
4.5	Method of Measurement.....	56
4.5.1	Voltage Fundamental Frequency Measurement Method.....	56
4.5.2	Voltage and Current Measurement Method.....	56
4.5.3	Harmonics and THD Evaluation Method.....	56
4.5.4	Power and Power Factor and Evaluation Method.....	57
4.5.5	Temperature.....	59
4.6	Measured Values Evaluation and Aggregation.....	59
4.6.1	Actual Values Evaluation and Aggregation.....	59
4.6.2	Average Values Evaluation.....	59

4.6.3	Embedded Electricity Meter.....	60
4.6.3.1	Electric Energy Processing.....	60
4.6.3.2	Maximum Demand Registration.....	60
4.7	Special PFC-Block Related Quantities' Meaning & Method of Evaluation.....	60
4.7.1	$\Sigma\Delta Q_{fh}$ – PF Control Deviation.....	60
4.7.2	CHL – Capacitor Harmonic Load Factor.....	61
4.7.3	RC, RL – Compensation Reserve Powers.....	63
5.	COMPUTER CONTROLLED OPERATION.....	65
5.1	Communication Interface.....	65
5.1.1	Service USB Interface.....	65
5.1.2	RS-485 Interface (COM).....	65
5.1.2.1	Communication Cable.....	65
5.1.2.2	Terminating Resistors.....	65
5.1.3	Ethernet Interface (ETH).....	65
5.2	Communication Protocols.....	66
5.2.1	KMB Communications Protocol.....	66
5.2.2	Modbus Communications Protocol.....	66
5.3	Embedded Webserver.....	66
6.	EXAMPLES OF CONNECTIONS.....	67
7.	MANUFACTURED MODELS AND MARKING.....	73
8.	TECHNICAL SPECIFICATIONS.....	74
9.	MAINTENANCE, SERVICE.....	77

1. General

The NOVAR 2100 and NOVAR 2200 are simple single-phase power factor controllers with fully automated commissioning.

The NOVAR 2100 model has only one common auxiliary power voltage and measuring voltage terminal pair. The NOVAR 2200 model has these voltages terminal pairs separated. Due this, measuring voltage of higher range can be connected to the NOVAR 2200 model. Excluding this, both of models are identical.

For on-line monitoring, the controllers can be provided with remote communication interface.

1.1 Common features

Power Factor Control

- up to 24 output sections, relay or solid-state
- controller's speed of response independently programmable for conditions of undercompensation and overcompensation
- the preset speed of response increases in proportion to instantaneous control deviation, that is either with the value squared or in direct proportion to the ratio of the control deviation to the smallest section value (O_{MIN})
- adjustable control range to reduce the number of control interventions in systems with a wide control range at high loads
- combined mains compensation & decompensation capability
- selectable two-rate operation controlled with active power level or external signal (optional input)
- automatic output section recognition, any combination of the output sections possible
- continuously checks output sections in the control process. When failure is detected repeatedly, disables the faulty section and possibly actuates alarm.
- periodically rechecks the temporarily disabled sections and on positive test result (for example when replacing a section's burnt fuse link), it enables them again automatically
- wide assortment of independently settable alarm's warning and actuation functions (undervoltage, overvoltage, undercurrent, overcurrent, THDU limit overflow and more)

Measurement & Evaluation

- both line-to neutral and line-to-line voltage can be connected
- current input for xxx/ 5A or xxx /1A CTs connection
- sampling rate 128/96 samples/period, 10/12 periods evaluation cycle (200 ms at 50/60 Hz)
- continuous (gap-less) measurement of voltage and current
- evaluation of harmonic components up to 40th
- fixed window / floating window / thermal average values of all evaluated quantities with minimum & maximum values registration
- built-in electricity meter :
 - four-quadrant electricity meter
 - maximum of average active power value (power demand)
- built-in thermometer

Design

- 144x144 mm plastic box for panel mounting
- LCD -FSTN segment display, 4 keys
- digital input (18- & 24-output models only)

Communication

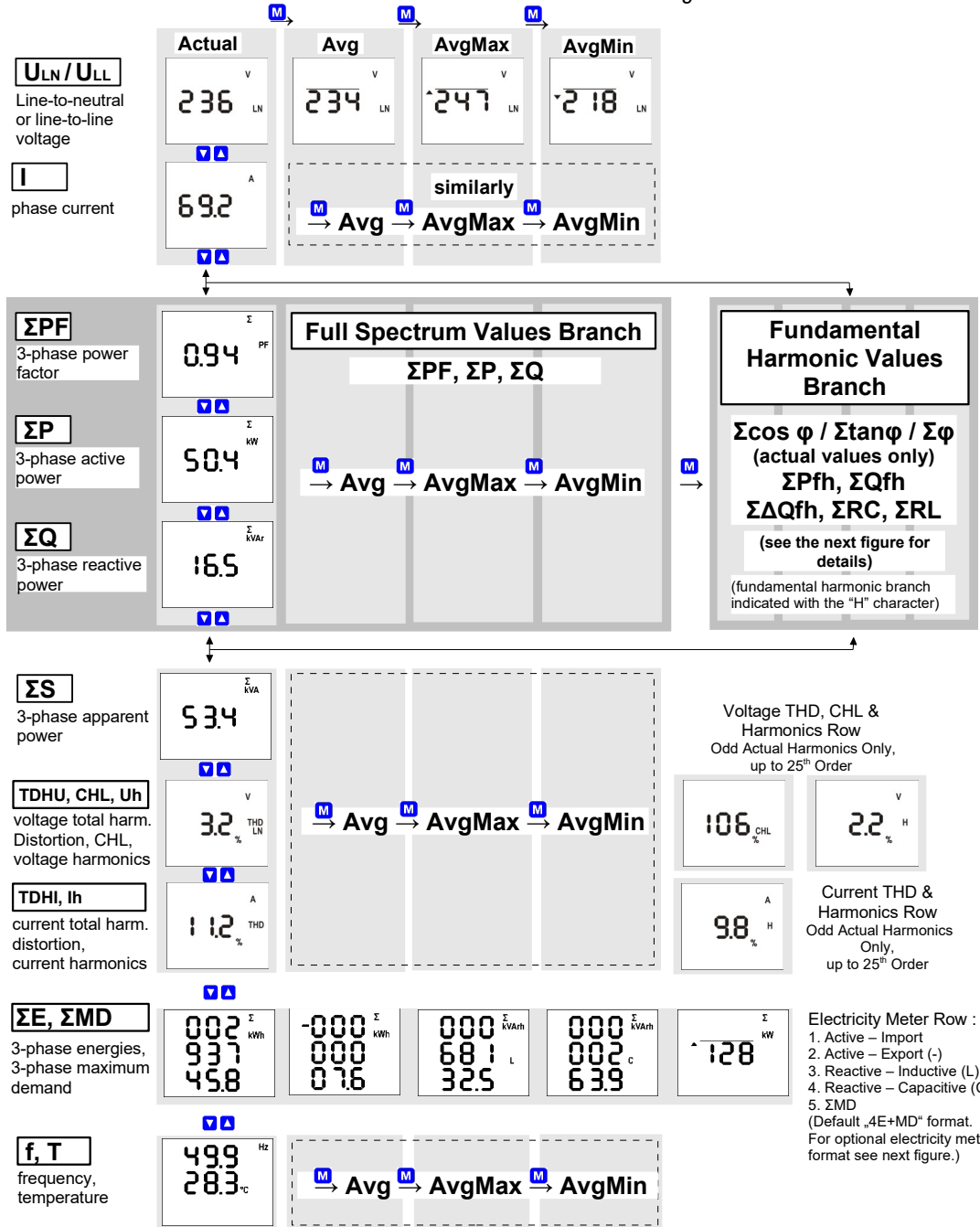
- service USB 2.0 interface for comfortable setup and check
- optional remote communication interface (RS 485, Ethernet)
- proprietary protocol with free data acquisition software ENVIS
- MODBUS RTU and MODBUS TCP protocols for simple integration with third party SCADA software
- embedded webserver (for instruments with Ethernet interface)

1.2 Operation

After an activation of supply voltage, the instrument accomplishes internal diagnostics and then it starts to measure and display actual measured data. Simultaneously, the power factor control (PFC) starts and tries to keep power factor as near as possible to the preset value by connecting optimal combination of compensation elements to the network.

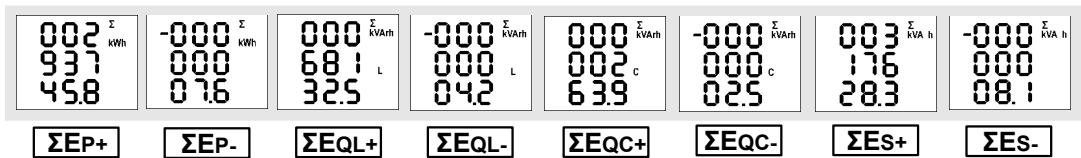
Most of actual measured and evaluated data can be observed on the instrument's display. Navigation through the screens is intuitive with arrow keys. The data are arranged in rows of screens according navigation maps below.

NOVAR 2100/2200 - Measured Data Branch Navigation Chart

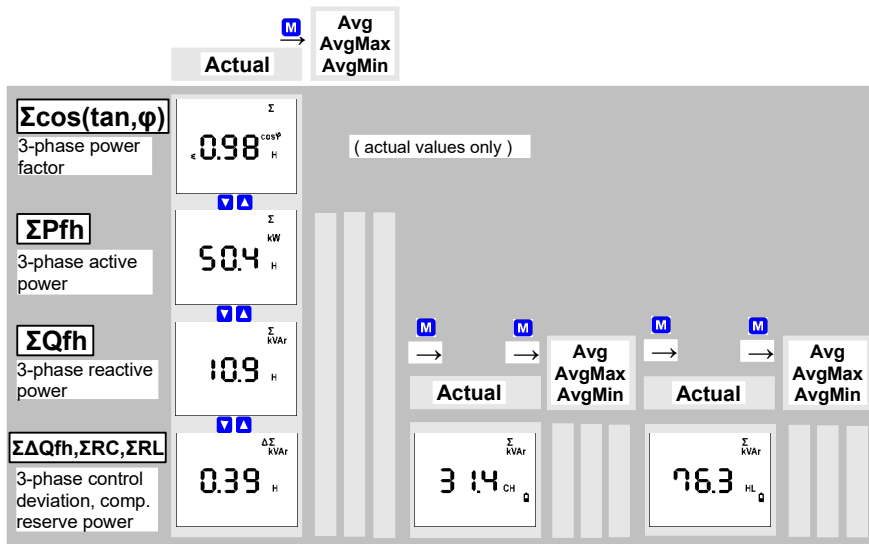


- Electricity Meter Row :
1. Active – Import
 2. Active – Export (-)
 3. Reactive – Inductive (L)
 4. Reactive – Capacitive (C)
 5. ΣMD (Default „4E+MD“ format. For optional electricity meter format see next figure.)

Optional "8E" Electricity Meter Display Format



NOVAR 2100/2200 – Fundamental Harmonic Measured Values Branch

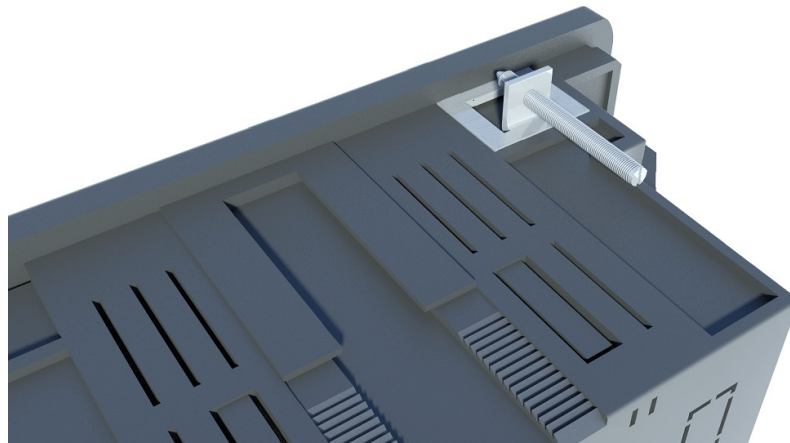


2. Installation

2.1 Physical

The instrument is built in a plastic box to be installed in a distribution board panel. The instrument's position must be fixed with locks. Put the locks into square inserts placed diagonally on the top and bottom of the box and tighten the screws to the panel.

Fig.1: NOVAR 2100/2200 – fixation with locks detail



Natural air circulation should be provided inside the distribution board cabinet, and in the instrument's neighbourhood, especially underneath the instrument, no other instrumentation that is source of heat should be installed.

2.2 Instrument Connection

2.2.1 Power Supply and Measuring Voltage



Be careful not to exceed maximum input voltage according the technical parameters, especially when line-to-line voltage is connected !!!

2.2.1.1 NOVAR 2100

It is necessary to connect an auxiliary supply voltage in the range as declared in technical specifications table to the terminals **L1** (No. 1) and **N/L2** (No.2). The instrument uses this power supply voltage as measuring voltage simultaneously.

The supply voltage must be connected via a disconnecting device (switch - see installation diagram). It must be situated directly at the instrument and must be easily accessible by the operator. The disconnecting device must be labelled as the disconnecting device of the equipment. A two-pole circuit breaker with the C-type tripping characteristics rated at 1A may be used for the disconnecting device; however its function and position must be clearly marked (symbols „O" and „I" according to EN 61010 – 1).

A connection cable maximum cross section area is 2.5 mm².

Fig. 2.2: NOVAR 2100
Typical connection of measuring inputs

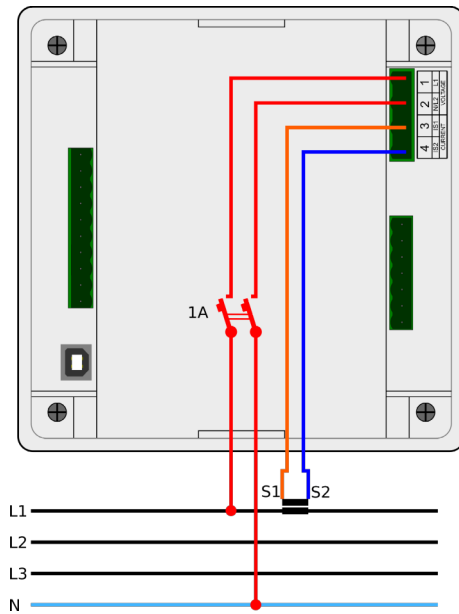
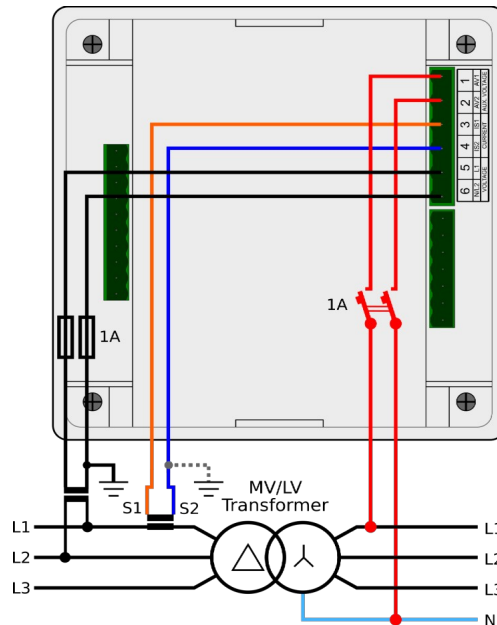


Fig. 2.3: NOVAR 2200
Measuring & power supply inputs connection example



2.2.1.2 NOVAR 2200

Connect an auxiliary supply voltage in the range as declared in technical specifications table to the terminals **AV1** (No. 1) and **AV2** (No.2).

In case of DC supply voltage the polarity of connection is generally free, but for maximum electromagnetic compatibility it is recommended to connect grounded pole to the terminal **AV2**.

The supply voltage must be connected via a disconnecting device (switch - see installation diagram). It must be situated directly at the instrument and must be easily accessible by the operator. The disconnecting device must be labelled as the disconnecting device of the equipment. A two-pole circuit breaker with the C-type tripping characteristics rated at 1A may be used for the disconnecting device; however its function and position must be clearly marked (symbols „O" and „I" according to EN 61010 – 1). If one of the supply signals is neutral wire N (or PEN) usually a single breaker in the line branch is sufficient.

Measuring voltage must be connected to the terminals **L1** (No. 5) and **N/L2** (No.6). Connecting wires should be protected by, for example, fuses of rating 1A.

A connection cable maximum cross section area is 2.5 mm².

2.2.2 Measuring Current

The instruments are designed for indirect current measurement via external CT only. Signal of any phase and of any polarity can be used.



To get better precision when using overweighted CTs, you can apply more windings of measured wire through the transformer. Then you must set the multiplier parameter (in parameter group 71, see below). For standard connection with 1 winding, the multiplier must be set to 1.

The current signal from 5A or 1A (or 0.1A for the „X/100mA“ models) instrument current transformer must be connected to the terminals pairs **IS1** and **IS2** (No. 3 and 4).

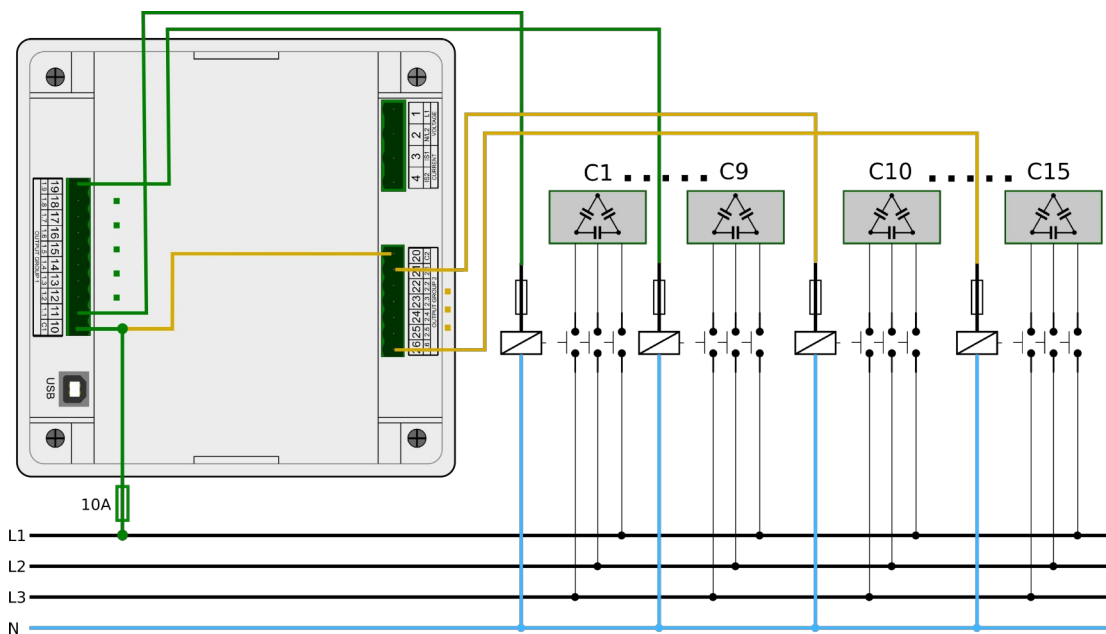
The CT-ratio must be set in *the Installation* group of parameters (par. 71).

A connection cable maximum cross section area is 2.5 mm².

2.2.3 Relay Outputs

Instruments can have up to 24 relay outputs arranged in up to three groups. The groups are isolated from each other. Each group has one relay common pole terminal **C1**, **C2**, **C3** (No.10, 20 and 30) and six or nine relay output terminals marked – for example for group 1 - **1.1** through **1.9** (No.11 ÷ 19).

Fig. 2.4: Output connection example (controller with 15 outputs)



Any combination of compensation capacitors and chokes can be connected to the instrument outputs via appropriate contactors.

If not of all outputs used, you can use upper three relay outputs for alarm signalling or for heating/cooling control (see example wirings further below).

A connection cable maximum cross section area is 2.5 mm².

2.2.4 Digital Input


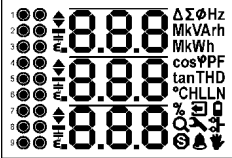

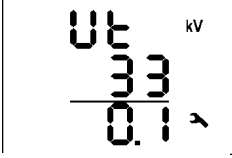
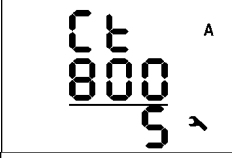
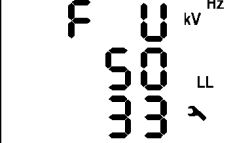
Models with 18 and 24 outputs are equipped with the digital input. It can be used for the 2nd tariff control of power factor control process or as the alarm input..

Use terminals **D1A** and **D1B** (No. 51 and 52) for the digital input connection – see wiring examples in appropriate chapter further below. The input is isolated from other instrument circuitry.

To activate the output apply voltage of specified range to the terminals.

3. Commissioning

On connecting power supply, the instrument performs internal diagnostics, display test and then gradually shows screens with the instrument type and setting of basic parameters :

- | | |
|---|--|
|  | 1. Instrument diagnostic in progress |
|  | 2. Display test |
|  | 3. line 1 : n 18 - instrument model (Novar 2100 R18)
line 3 : 1.00 - firmware version number |
|  | 4. when connection of voltage via voltage transformers set (otherwise the screen is skipped) :
line 1 : U t - voltage transformer ratio specification
line 2 : 33 - nominal primary voltage [kV]
line 3 : 0.1 - nominal secondary voltage [kV] |
|  | 5. line 1 : t - current transformer ratio specification
line 2 : 800 - nominal primary current [A]
line 3 : 5 - nominal secondary current [A] |
|  | 6. line 1 : F U - nominal frequency and voltage specification
line 2 : 50 - nominal frequency [Hz]
line 3 : 33 - nominal voltage [kV] (line-to-line) |

Then the instrument starts display actual measured values. Simultaneously, if the instrument has a communication line, it can be set and its measured values read via the communication link using a PC.

3.1 Measured Electrical Quantities Installation Setup

For proper data evaluation it is necessary to set the *Installation Setting* group parameters, starting from parameter 71 up. They comprise :

- **CT-ratio** (p. 71). Can be set in form either .../ 5A or .../ 1A.

Furthermore, so called **I-Multiplier** can be set too. You can modify the CT- ratio with this parameter. For example, to get better precision when using overweighted CTs, you can apply more windings of measured wire through the transformer. Then you must set the multiplier. For example, for 2 windings applied, set the multiplier to $1/2 = 0.5$.

For standard connection with 1 winding, the multiplier must be set to 1.

- **Connection Type** (p. 72) needs to be set to *l y 3* or *l d 3*. The **U1-voltage angle** is recommended to be set automatically during so called ACD-process (see below).
- **Connection Mode** (parameter 74) determines if voltage signals are connected directly (- - -) or via voltage transformers. In such case the **VT-ratio** must be set.

The VT-ratio must be set in form *Nominal primary voltage / Nominal secondary voltage*. For very high primary voltages the **U-Multiplier** must be used.

- Nominal frequency f_{NOM} (p. 75) must be set in compliance with the measurement network nominal frequency to either 50 or 60 Hz.
- **Nominal Voltage U_{NOM}** (p. 75) and **Nominal Power P_{NOM}** (p. 76) : For the voltage alarms operation and other functions it is necessary to enter also the nominal (primary) voltage of the measured mains U_{NOM} and nominal apparent three-phase power (input power) of the connected load P_{NOM} (in units of kVA). Although the correct setup of the U_{NOM} and P_{NOM} has no effect on measuring operation of the instrument, it is strongly recommended to set at least the U_{NOM} correctly.

The U_{NOM} is displayed either as line-to-neutral or line-to-line form depending on the connection mode setup : “direct” or “via VT”, respectively.

Correct setting of the P_{NOM} is not critical, it influences percentage representation of powers and currents and statistical processing of measuring in the software only. If the P_{NOM} of measured network node is not defined, we recommend to set its value, for example, to the nominal power of source transformer or to the maximum supposed power estimated according current transformers ratio, etc.

3.1.1 Setup Example

Usually, it is only necessary to adjust the CT ratio. Next example shows how to do it :

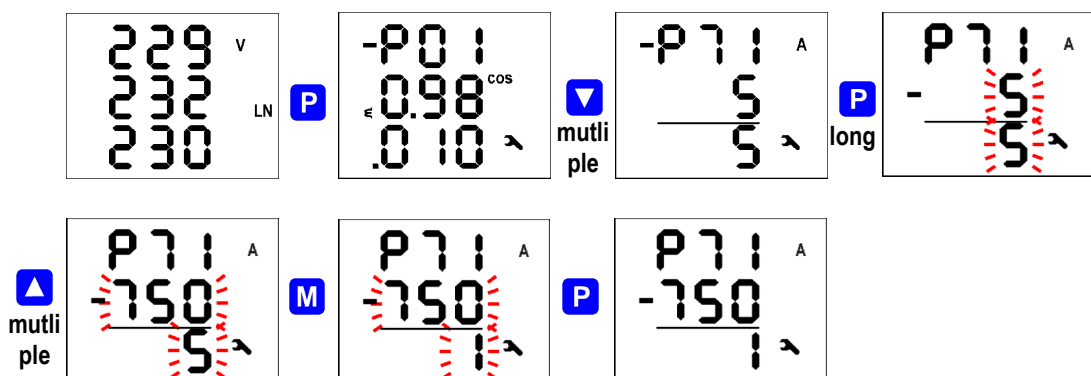
Assuming that the ratio of used CTs is 750/1 A. First off all, it is necessary to switch display from measured data branch (the ULN screen on the example below) to *the parameter branch* with the **P** button. The branch is indicated with the symbol . Parameter 01 appears – target power factor & control bandwidth.

Now scroll down with the **▼** key to parameter 71, that is the CT ratio -its default value is 5/5 A. Enter editing mode by pressing and holding the **P** until the value gets flashing.

As soon as the value flashes, release the **P**. Now you can change it. Increase primary value by pressing of the **▲**. If you keep it pressed two-speed autorepeat helps to reach target value quickly. Then use multiple pressing of **▲** and **▼** for fine setup.

To change the secondary value, simply press the **M**. The button serves as toggle switch between 5 and 1.

CT Ratio Change Procedure Example



Target CT value is prepared now and we can leave the edit mode with (short) pressing the **P**. The value is stored into the instrument memory and the flashing stops.

Now return to so called main parameter branch (see description below) with next pressing the **P** and then you can scroll to other parameters with **▲** and **▼** and edit them in a similar way or you can return to the measured data branch with the **M**.

The summary of all instrument parameters is stated in the table below. Their description is stated in following chapters.

3.1.2 Connection Setup

The controllers are delivered with preset *connection type* to 1Y3 and the *U1-voltage angle* is undefined.

3.1.2.1 Connection Type 1Y3 / 1D3

If network **phase (=line-to-neutral) voltage** is connected to the L1 and N/L2 terminals, the **1Y3** connection type must be set in the parameter group No. 72.

If network **line voltage (=line-to-line) voltage** is connected to the L1 and N/L2 the **1D3** must be set.



The above does not have to apply if the measured current signal is taken from the opposite side of the mains power transformer than the measured voltage signal. Then correct setup of the parameter group No. 72 depends on the transformer phase angle.



Connection type parameter must be set correctly even if use of the automatic connection detection process (ACD) is supposed. Otherwise result of the process would fail and measured powers and power factor would be false !

3.1.2.2 Angle of Voltage Connected to the U1 Input (U1-Angle)

Generally, it is not necessary to connect voltage and current of the same phase; for example, you can connect the L1-phase current and the L2- or the L3-phase voltage, even with opposite polarity.

If a line-to-line voltage is connected, or line-to-neutral voltage of different phase than the current, or the voltage and current signal with opposite polarity, there exists phase shift between the voltage and the current signals even at power factor equal to 1. Controller must respect this angular displacement, so it must be specified correctly, otherwise it would evaluate wrong power factor.

The value of the angular displacement is defined as a combination of measurement network phases connected to the L1 and N/L2 controller terminals. It is assumed that the CT is mounted in the L1 phase of measured network and its orientation (terminals S1, S2) corresponds to real orientation supply ->load . The angle of voltage is then assigned one of six combinations shown in the table below.

Tab. 3.1 : U1-Angle – Setup Options

1Y3 connection type (line-to-neutral voltage – LN)		1D3 connection type (line-to-line voltage – LL)	
No.	U1-angle	No.	U1-angle
1	L1-0 (0°)	1	L1-L2 (-30°)
2	L2-0 (120°)	2	L2-L3 (90°)
3	L3-0 (-120°)	3	L3-L1 (-150°)
4	0-L1 (180°)	4	L2-L1 (150°)
5	0-L2 (-60°)	5	L3-L2 (-90°)
6	0-L3 (60°)	6	L1-L3 (30°)

Notes :

- CT supposed in the L1 phase with correct orientation (S1, S2 terminals)
- the U1-angle expressed as „x-y“ where the „x“ means the phase connected to the U1 terminal and the „y“ phase connected to the N terminal (=0)



If the current signal is from opposite side of the power supply transformer than the voltage signal, the U1-angle must be set with respect to the transformer phase angle.



At this phase it is strongly recommended to set the CT ratio in parameter No. 71 too. It is necessary for successful result of the AOR process that usually follows immediately after the ACD-process.

3.1.2.3 ACD Process – Automatic Connection Detection

The type of connection must be set always manually (in parameter group Np. 72).

The U1-angle can be set manually too, but we strongly recommend to use automatic setup – the ACD process (Automatic Connection Detection). This process not only detects and sets the U1-angle, but network nominal voltage U_{NOM} as well.



For the ACD process usage, **capacitors only** must be connected to **the first four control outputs**. If any chokes connected to the outputs, the process gets fail results !



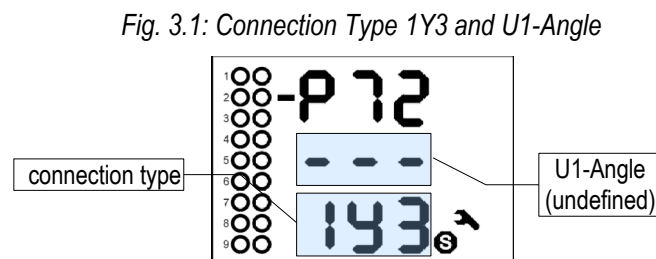
If inappropriate compensation elements connected to the first four outputs, you can set such outputs temporary to **the fixed-off** control state; then the instrument will use for the ACD process the next four outputs that are set as **the control** outputs.

Following conditions must be fulfilled for the ACD process launch :

- U1-angle is not defined (---)
- branch of measured data is displayed

Then the controller launches this process automatically after powerup (if it is not in the standby state due to any of alarms).

The process can be restarted manually too. For this, scroll to the U1-angle (P.72) and set it as undefined (---) :

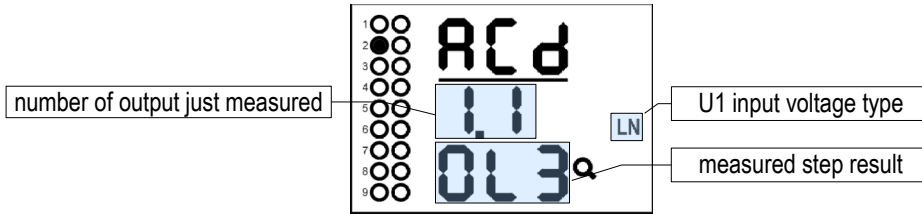


After return to measured data branch the ACD process starts.

First of all, the first four *control* outputs are disconnected, step by step. Then the instrument waits until discharge time of the outputs just disconnected expires. During this, the **! . !** message flashes in the line 2 indicating the instrument waits till output No. 1.1 is ready to use.

After all of the outputs discharged, the instrument starts to switch the four outputs step by step. After each of the step is switched off, detected U1-angle value is displayed (for example 0-L3) :

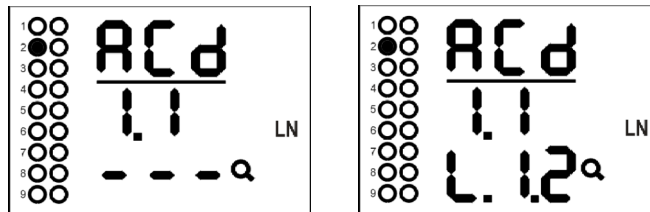
Fig. 3.2 : ACD Process – Successful Step Result



When 1Y3 connection type is set the controller supposes a line-to-neutral voltage (L-N, left screen) is connected; when 1D3 connection type a line-to-line voltage (L-L, right screen) is expected.

If unsuccessful step occurs usually dashes appear (left screen below). Such steps are not unusual especially when reactive power in measured network fluctuates strongly.

Fig. 3.3 : ACD Process – Unsuccessful Step Results



There may be cases where the angle measured with a permissible tolerance does not match any of expected options. Then estimated angle with decimal points appear (right screen).

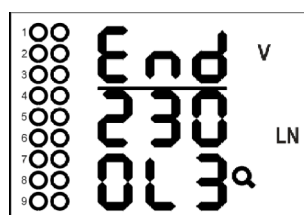


If unsuccessful steps (with the decimal points) of the same results and the question mark repeat frequently, the most likely cause is incorrectly set connection type. Check it and try to start the process again.

Ongoing ACD process can be cancelled at any point with the **P** key. Similarly, any alarm activation cancels the process too. In such case, the recognized data are neglected and neither U1-angle nor U_{NOM} setting is updated.

The process can have up to 12 rounds with four steps each. After each step, the measurement results are analyzed. If the results are sufficiently stable, the process is finished and the results are displayed.

Fig. 3.4 : ACD Process – Results



The End is shown in the process headline and found U1-angle is displayed in the 3rd line (0-L3 in our case).

Furthermore, estimated network nominal voltage U_{NOM} appears in the 2nd line (230V). According voltage measured at the U1 input during the process the nearest value according following table is chosen.

Tab. 3.2 : The Most Common Nominal Voltages

58 V	100 V	230 V	400 V	480 V	690 V
------	-------	-------	-------	-------	-------

On successful completion of the total process, the controller saves recognized U1-angle and nominal voltage U_{NOM} into its memory. Then it returns into the state from which it was initiated. If it is the control state the AOR process follows usually. Before this, we recommend to check stored values of the U1-angle and the nominal voltage U_{NOM} in *the Installation* group of parameters and to correct them optionally.

Otherwise, if the ACD process unsuccessful (the U1-angle not detected) or canceled prematurely no parameters are updated and the process is automatically relaunched each approximately 15 minutes again in the control mode.



If the first sections have very low powers the ACD process can fail especially while high load at the network. Then start the process again (by resetting the U1-angle to ---) or, if necessary, set it and the U_{NOM} manually.




Sometimes it is necessary to start the ACD process at disconnected load (or at zero load) – for example, when testing a compensation switchboard before its expedition to a customer. If the default controller undercurrent (I_K) alarm actuation is set the controller gets into the standby state in such case and the ACD process cannot be started. Therefore, it is necessary to switch this alarm actuation temporarily off (and to return it back after the ACD-process passes).

3.1.3 PFC Setup

As soon as *the Installation* parameters are set you need to set other parameters that serve for power factor control operation. The parameters can be divided into following subgroups :

- PFC control setup
- PFC output setup
- PFC alarm setup

As, because of the first installation, the instrument knows neither output types nor reactive power sizes of individual outputs, it gets into the *standby* mode, which is signalled by flashing symbol . So powers of individual outputs must be set now. Other parameters can be modified later.

3.1.3.1 PFC Output Setup

The PFC output setup is determined by parameters 20 ÷ 36.

For the first commissioning, check and - if required - modify *the discharge time for set 1* (parameter 34). It is necessary especially at high voltage compensation systems where discharge time in range of minutes must be set.

Optionally, you can set any of the highest three of outputs as alarm, fan control or heater control (see detailed description below).

Now you can finally set output types and sizes. The most comfortable way to do this is by using *Automatic Output Recognition (AOR)* process.

3.1.3.2 Automatic Output Recognition (AOR) Process

The controller can recognize types and sizes of compensation capacitors or chokes connected to its outputs automatically using this process.

If the *automatic output recognizer* parameter (No. 20) is set to *auto* , the controller launches this process automatically if :

- it is switched into the control state and is not in the standby state
- none of the control compensation outputs is specified at a non-zero power (all of the control outputs reactive powers are zero)
- a measured values screen is displayed

In the control state the process can be started manually too. For this, scroll to the parameter 20 (AOR) and edit its value to **r U n** .



If any chokes are used in the compensation system, the Choke Control parameter (No. 12) must be set first; otherwise, all of chokes (or any inductive character type outputs) will be recognized as zero outputs.



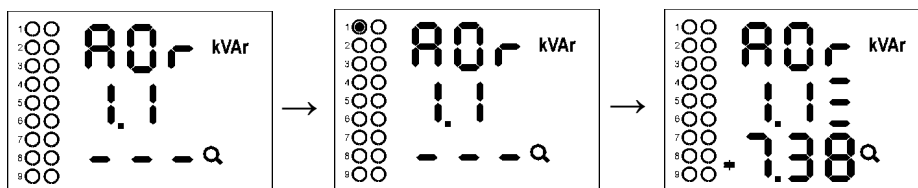
If the CT-ratio (parameter 71) is not set or its value is 5/5 A or 1/1 A, call for the CT-ratio setting appears before the AOR- process is launched. When this call is ignored and the CT-ratio is not set properly the power values of outputs recognized during the AOR-process will be incorrect.

After being started, switch to display of measured values with the **M** key (or it occurs automatically during about 30 seconds). Then, the AOR screen appears : the **AOR** message in the first line and the symbol **Q** flash.

First of all, all of control outputs (i.e. excluding the fixed ones and optional alarm/fan/heating ones) are disconnected, step by step.

Then the instrument waits until discharge time of the outputs just disconnected expires - such not-discharged outputs are identified with flashing output symbol. That means that the instrument waits till the outputs are ready to use.

Fig. 3.5 : AOR-Process Step 1.1 Recognition Example



After all of the outputs discharged, the instrument starts to switch the outputs step by step. The number of a step is displayed in the second line and appropriate output is switched on for a short time.

After the step is switched off, its type and size is displayed : in the example above, (nominal) reactive power of 7.38 kvar, capacitive.

The three bars in the second line (behind the output number) mean that three-phase type (C123) capacitor is supposed.



*Note : The recognized output powers are not displayed as actual power values but **the nominal power** values, that is the values that correspond to the preset nominal voltage U_{Nom} of the network.. It is supposed that the metering current transformer ratio and the metering voltage transformer ratio, if any, are set correctly.*

If a step power was detected as zero, either the output is not used (nothing connected to it) or the step power is too small to be recognized automatically.

If the controller does not succeed in determining a output's value, it does not show it – dashes - - - are displayed instead. This condition occurs if reactive power value in the power system fluctuates considerably due to changes in load.

The process has 3 or 6 rounds – round number is displayed momentarily at the beginning of the round in the first line.

After carrying out three rounds, partial evaluation is carried out. If measurements in the rounds carried out provides sufficiently stable results, the AOR process is completed. Otherwise the controller carries out up to three more rounds.

A requirement for successful AOR process is sufficiently stable condition of the power system – while connecting or disconnecting a section, the reactive load power must not change by a value which is comparable with, or even greater than, the reactive power value of the section under test. Otherwise the measurement result is unsuccessful. As a rule of thumb, the section values are recognized the more precisely, the lower the load is in the power system.

Ongoing AOR process can be cancelled at any point either manually by switching display into parameters with the **P** key or by any of alarm actuations. In such case, the recognized data are neglected and output setting is not updated.

On completion of the total process, the controller saves recognized output types and sizes into its memory. Then , if at least one section with non-zero total reactive power has been detected, the controller starts power factor control.

Otherwise, if the previous AOR process unsuccessful (no valid outputs found or cancelled prematurely), the process is automatically relaunched each approximately 15 minutes again in the control mode.



It is strongly recommended to check recognized section values in parameter 25 after the AOR process has passed. If any doubt about the recognized values you can start the AOR process again or, if necessary, to edit the section values manually. It is often necessary at the lowest power sections especially when the AOR process run while high load at the network – such sections can be recognized as zero outputs and needs to be set manually.



Sometimes it is necessary to start the AOR process at disconnected load (or at zero load) – for example ,when testing a compensation switchboard before its expedition to a customer. If the default controller undercurrent ($I_{<}$) alarm (No. 04, parameter 43) actuation is set the controller gets into the standby state in such case and the AOR process cannot be started. Therefore, it is necessary to switch this alarm actuation temporarily off (and to return it back after the AOR-process passes).

3.1.3.3 PFC Control & PFC Alarms Setup

Finally, the PFC control parameters (1 ÷ 19) and the PFC alarms parameters (40 ÷ 56) can be modified, in necessary.

Detailed description of all of the parameters follows below.

4. Detailed Description

4.1 Basic Functions

The NOVAR 2100/2200 power factor controllers are fully automatic instruments that allow optimum control of reactive power compensation.

Control is provided in all four quadrants and its speed depends on both control deviation value and its polarization (overcompensation / undercompensation). Connecting and disconnecting power factor capacitors is carried out in such a way that achieving the optimum compensation condition is by a single control intervention at minimum number of sections connected. At the same time, the instrument chooses relay sections with regard to their even load and preferably connects those that have been disconnected for the longest time and the remanent charge of which is thus minimum.

Within the control process the instrument continually checks the relay compensation sections. If a section's outage or change in value is detected, the section is temporarily disabled from control under relevant setting. The section temporarily disabled is periodically tested and enabled for control again when possible.

Wide assortment of the instrument's alarms can be used both for indication and protection of the compensation elements. It is, for example, possible to preset the THD and the CHL threshold levels at which the controller disconnects all compensation sections thus preventing their damage. Besides that, the most adverse values are recorded into the instrument's memory for subsequent analysis.

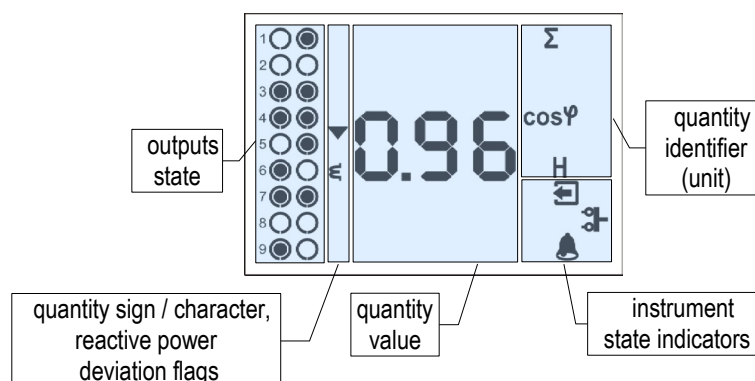
Besides the power factor capacitors, it is possible to connect power factor chokes (power system decompensation). Any output can be set as fixed, the three highest outputs can also be used as alarm output or to connect the cooling or heating circuits.

The controllers can be equipped with different numbers of outputs up to 24.

4.2 Measured Data & Status Presentation

The instrument starts display actual measured values on power-up. The screen that was selected before the last powerdown is displayed.




Fig. 4.1 :
Power Factor Actual Value
Example





4.2.1 Measured Data Screen

The instrument screen comprises following fields :

- *outputs state* ... actual state of the outputs
- *displayed quantity value, reactive power deviation flag* quantity actual / avg / avgmax / avgmin values and reactive power deviation flag
- *quantity identifier* ... specifies the quantity displayed, usually with its unit shortcut
- *instrument state indicators* ... indicates the instrument current status

You can navigate through all of measured and evaluated values with ,  and  buttons as shown on the *NOVAR 2100/2200 Measured Data Branch Navigation Chart* above.

Tab. 4.1 : Quantities Overview




row	quantity mark	quantity	quantity identifier	note
1	U_{LN} / U_{LL}	line-to-neutral or line-to-line voltage	V LN / V LL	according parameter 72
2	I	current	A	
3	ΣPF or $\Sigma \cos \varphi / \Sigma \tan \varphi / \Sigma \varphi$	three-phase power factor (full spectrum) / three-phase fund. harmonic power factor	ΣPF or $\Sigma \cos / \tan / \varphi$	the fund. harmonic power factor format selectable with the parameter 79
4	ΣP or ΣP_{fh}	three-phase active power (full spectrum) / three-phase fund. harmonic active power	ΣW or ΣW_H	
5	ΣQ or ΣQ_{fh}	three-phase reactive power (full spectrum) / three-phase fund. harm. reactive power	ΣVAr or ΣVAr_H	
6	$\Sigma \Delta Q_{fh}$, ΣRC , ΣRL	three-phase fundamental harmonic control deviation, three-phase comp. reserves (capacitive and inductive)	$\Sigma \Delta VAr_H$, $\Sigma VAr_C H$  , $\Sigma VAr_L H$ 	skipped at the full spectrum branch
7	ΣS	three-phase apparent power	ΣVA	
8	THDU, CHL, U _h	total harmonic distortion of voltage, capacitor harmonic load, voltage harmonics	V THD % V CHL % V H %	
9	THDI, I _h	total harmonic distortion of current, current harmonics	A THD % A H %	
10	ΣE , ΣMD or ΣE	three-phase energies (4 quadrants), three-phase max. active power demand / three-ph. en. in 6 „quadrants“, $\Sigma ES+$, $\Sigma ES-$	ΣWh , VAr_h , ΣW / ΣWh , VAr_h , VAh	depends on the parameter 78 setup
11	f, T	frequency, temperature	Hz, °C	

If a three-phase value is displayed, the Σ symbol appears.

The quantities' meaning and evaluation formulas can be found in the appropriate chapter further below.

Most of data are arranged in four columns :

- Actual actual values, refreshed each 3 measurement cycles (30/36 mains cycles)
- Avg average values per appropriate averaging period (see below)
- AvgMax ... maximum of the avg-value reached since the last clearing
- AvgMin minimum of the avg-value reached since the last clearing

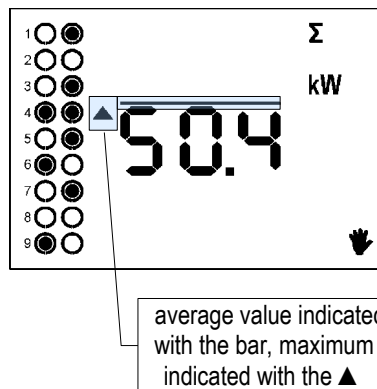
You can scroll inside a column down and up with the  and  keys and move horizontally from a column to the next right one cyclically with the  key.

Exception : Only actual values of harmonics and electrical energy are available. These values are arranged in different way – see further below.

4.2.2 Average Values

Average values are processed according set averaging method and length of averaging window (individually for “U/I”-group and “P/Q/S”-group of quantities). Maximum and minimum values of them are registered into the instrument's memory. The maximums are displayed in the “AvgMax” column and they are identified with the \blacktriangle symbol in the front of the value. Analogically, the minimums in the “AvgMin” column are identified with the \blacktriangledown symbol.

Fig. 4.2 :
Maximum of Average Active Power
Example



When the average values are displayed, deviation flags (see below) cannot be checked because of their symbols are used for the average value identification.



Neither maximum nor minimum of $\cos\phi$ values are evaluated due to special character of the quantity. Similarly, these extreme values are not evaluated at harmonics.

You can clear the “AvgMax”/“AvgMin” values. All of the maximums/minimums of appropriate quantity group are cleared simultaneously. To do it, follow next :

- navigate on corresponding AvgMax or AvgMin value

- press the **M** key until the value starts flashing
- with the **▲** or **▼** key, choose the **[L r** option
- then confirm by pressing the **M**



The appropriate group of quantities (either U/I or P/Q/S) average maxs/mins is affected by single clearing only ! Each group must be cleared individually.



If the instrument is locked, the clearing is not possible.

4.2.3 Full Spectrum Values $P/Q/PF$ & Fundamental Harmonic Values $P_{fh}/Q_{fh}/\cos\varphi$

As standard, active and reactive power (and therefore power factor) are evaluated from full spectrum of harmonic components of both voltage and current.

But for power factor compensation, fundamental harmonic parts of these quantities are used. Such quantities are marked P_{fh} , Q_{fh} , $\cos\varphi$.

As you can see on the navigation chart you can navigate from *the full spectrum values branch* with the **M** key further right into *the fundamental harmonic values branch* and vice versa. To distinguish actual displayed branch, the **H** symbol is displayed for the fundamental harmonic branch.



Actual values only of fundamental harmonic power factor – the $\cos\varphi$ – are evaluated (no average values available).



The fundamental harmonic power factor can be expressed not only as $\cos\varphi$, but as $\tan\varphi$ or φ too, depending on setting of parameter 79.

4.2.4 Fundamental Harmonic Power Factor Formats $\cos\varphi/\tan\varphi/\varphi$

The fundamental harmonic power factor can be expressed not only as $\cos\varphi$, but as $\tan\varphi$ or φ too, depending on setting of parameter 79.

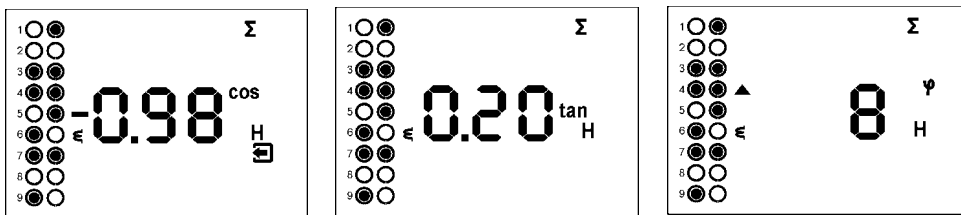
For outright specification of the quadrant, the power factor of the fundamental harmonic component is accompanied with two attributes :

- a sign (+ or -), which indicates polarity of appropriate active power
- a symbol ⚡ or ⚡ , which indicates the power factor character

For detailed information see chapter *Power and Power Factor Evaluation Method* below.

At the following figures there are examples of fundamental power factor presentations :

Fig. 4.3 :
Fundamental Harmonic Power Factor
Formats



- the left figure : $\Sigma \cos \varphi = 0.98$ inductive (choke symbol displayed). Furthermore, active three phase power is being negative, therefore the leading “minus”-sign (and the symbol displayed)
- the middle figure : $\Sigma \tan \varphi = 0.20$ inductive. Active three phase power is positive.
- the right figure : $\Sigma \varphi = 8$ degrees inductive. Active three phase power is positive.

The arrows indicate control deviation – see the next chapter.

4.2.5 Deviation Flag

When any of actual data displayed, the control deviation ($\Sigma \Delta Q_{fh}$) flag can appear in the front of the value. This flag shows the magnitude of deviation of the instantaneous reactive power in the power system from tolerable reactive power range defined by the specified value of required power factor and control bandwidth.

If the deviation is smaller than a half of the reactive power value of the smallest output, the flag is suppressed (balanced state). If the deviation is greater than a half of, but smaller than the reactive power value of the smallest output, the corresponding flag flashes — if lagging (undercompensation, positive $\Sigma \Delta Q_{fh}$ value), the ▼ -flag flashes; if leading (overcompensation, negative $\Sigma \Delta Q_{fh}$ value), the ▲ -flag flashes. If the deviation exceeds the value of the smallest output, the corresponding flag is shown permanently.

The control deviation flag is not displayed when :

- a control deviation is such low that it does not exceed the power factor control range (= balanced state, see further below)
- a control deviation cannot be evaluated due to voltage or current too low or no step power set (then, if the controller was in the control mode it goes to the standby mode -see below for details)
- average values (Avg/AvgMax/AvgMin) are displayed, because the ▲ and ▼ symbols are used for the value identification
- parameters are displayed

4.2.6 THDs, CHL and Harmonics

You can check actual values of both voltage and current THDs and harmonic components in appropriate rows (see *the Measured Data Navigation Chart*).

When you scroll to one of this rows, THD values of all measured phases are displayed as default. Identifiers **THD - V - LN** or **THD - A** indicate phase voltage or current THD values, respectively. In the voltage THD row ,you can furthermore check the CHL values, marked with appropriate identifiers.

All of these values are expressed in percent and their averages and *AvgMax /AvgMin* values are available too.

By listing further right with the **M** key, you can switch to harmonic components. The symbol **H** appears, indicating harmonic components (of voltage or current). Symbol % means that the values are expressed in percent of fundamental harmonic component. Order of harmonics just displayed flashes periodically in the display middle line – for example, string **H03** means 3rd harmonics.

By repetitive pressing of the **M** key you can check other harmonics. Although the instrument evaluates all of the harmonic components up to 40th order internally, only odd components to 25th order can be viewed of its display (full spectrum of the harmonics is available via communication interface only).

4.2.7 Electricity Meter

Electricity meter comprises three-phase energy data and maximum three-phase active power demand value. The values are situated in particular row.

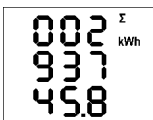
Depending on the parameter group 78 setup, two electricity meter display modes can be chosen :

- “4E+MD” mode (default)
- “8E” mode

4.2.7.1 “4E+MD” Display Mode

In this mode, first four windows contain three-phase energies of four-quadrants :

- **ΣEP+** ... three-phase imported active energy, indicated with **Σ - kWh** (or **MWh** or **kMWh = GWh**)
- **ΣEP-** ... three-phase exported active energy, indicated with **Σ - kWh** and preceding **—** sign
- **ΣEQL** ... three-phase inductive reactive energy, indicated with **Σ - kVarh - L**
- **ΣEQC** ... three-phase capacitive reactive energy, indicated with **Σ - kVarh - C**



Each value occupies all of three display lines, 8 digits before the decimal point and one after it. For the example at left, **ΣEP+** = 293745.8 kWh.

The values are registered since the last clearing. To clear the energies, display any of them and then follow the same procedure as for max/min average values. All of the energies are cleared simultaneously and start to count from zero again.

In the 5th window there is

- **ΣMD** ... maximum of three-phase average active power (power demand), indicated with **Σ - kW - ▲** and bar over the value

The value contains maximum of three-phase average active power since the last clearing. Averaging method and averaging period for this value can be set regardless of the method of standard average values, described above.

Similarly as the energies, the value can be cleared independently.



If the instrument is locked, clearing is not possible.



If the instrument is equipped with a communication interface, the values can be cleared remotely.

4.2.7.2 “8E” Display Mode

In this mode, reactive energies registered separately depending on actual three-phase active power (ΣP) sign are displayed (“six-quadrant” mode; such format can be convenient for renewable sources monitoring, for example) :

- $\Sigma EP+$... three-phase imported active energy, indicated with Σ - kWh (or MWh or kWh = GWh)
- $\Sigma EP-$... three-phase exported active energy, indicated with Σ - kWh and preceding – sign
- $\Sigma EQL+$... three-phase inductive reactive energy registered during the ΣEP value was positive (import); indicated with Σ - kVarh – L
- $\Sigma EQL-$... three-phase inductive reactive energy registered during the ΣEP value was negative (export); indicated with Σ - kVarh – L and preceding – sign
- $\Sigma EQC+$... three-phase capacitive reactive energy registered during the ΣEP value was positive; indicated with Σ - kVarh – C
- $\Sigma EQC-$... three-phase capacitive reactive energy registered during the ΣEP value was negative; indicated with Σ - kVarh – C and preceding – sign

Furthermore, energies in VAh are available too :



- $\Sigma Es+$... three-phase apparent energy registered during the ΣEP value was positive; indicated with Σ - kVAh
- $\Sigma Es-$... three-phase apparent energy registered during the ΣEP value was negative; indicated with Σ - kVAh and preceding – sign

The three-phase active power demand ΣMD is not displayed in this mode.

4.2.8 Outputs State

There are two columns of symbols indicating actual state of individual outputs on the left side of the screen. The first (left) column corresponds to the output group No. 1, the second column corresponds to the output group No. 2.

The symbols shows actual *output state* :

-  ... open output
-  ... closed output

In some cases - for example during *the AOR-process* or at output manipulation in *the manual mode* - flashing output state symbol means that the output not yet discharged and, therefore, it waits until its discharge time expires before being closed.

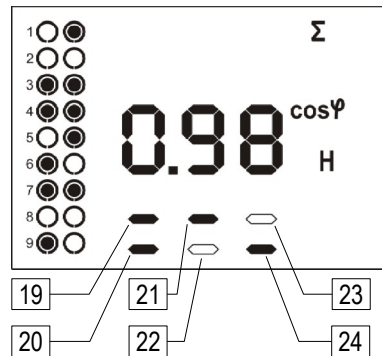
When parameters of the OE alarm are listed, flashing output symbols indicate defected outputs – see the OE alarm chapter below.

4.2.8.1 Outputs No. 19 ÷ 24 State

States of outputs No. 1 ÷ 18 are displayed as described above.

States of outputs No. 19 ÷ 24 (at appropriate controllers) are displayed in the actual values branch only in the 3rd line as follows :

Fig. 4.4 :
Outputs No. 19 ÷ 24 State



In the displayed example, the outputs No. 19, 20, 21 and 24 are closed.



If the 3rd line is occupied by another information (control time, for example), states of these outputs are not displayed.

4.2.9 State Indicators



4.2.9.1 Main Operating States

The controller works in one of two main states, that are indicated as follows :

- symbol not displayed ... **control** state
- flashing symbol displayed ... **manual** state

Moreover, the controller can enter following temporary substates :

- flashing symbol ... **standby** state. The controller can enter this state from the control state only. It occurs either when the power factor control cannot be performed for some reason (voltage/current too low, no compensation steps available) or when operator switches display to parameters.
- flashing symbol ... **AOR-process**, **CT-test** or **ACD-process** state. These states are usually initiated by an operator intervention. They can be started both from the control and manual state.

For detailed description the the controller states see appropriate chapter below.




4.2.9.2 Alarm

As soon as indication function of any of particular alarms (see alarm function description below) gets active, this symbol flashes. Simultaneously, if any of outputs is set to alarm indication, it is switched to the active state.

For detailed alarm cause detection, check alarm parameters (No. 40 ÷ 56).



Exception : When any of the alarm parameters is displayed the symbol  does not indicate general alarm; the symbol is displayed (without flashing) when either indication or actuation function of the particular alarm listed is just active. Otherwise, the symbol is off. See the alarm function description further below.

4.2.9.3 Active Power Export

This symbol is displayed whenever three-phase active power ΣP is negative. It indicates that active energy flows in opposite direction.

4.2.9.4 Digital Input State

If an instrument is equipped with a digital input, this symbol indicates its active state. If the input in passive state, the symbol is off.

4.2.9.5 Instrument Setup Indicator

This symbol indicates that instrument setup is displayed currently. It occurs when switching display to the instrument parameters with the **P** key.

During this, if the instrument was in *the control state*, it gets into *the standby state* simultaneously.


4.3 Setup Parameters

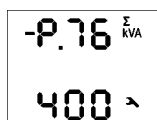
For proper operation in particular conditions, the instrument must be set. The instrument setup is determined using parameters. The parameters can be divided into following groups :



- Installation group (No. 00 and from No. 71 up)
- PFC control group (No. 01 ÷ 19)
- PFC output group (No. 20 ÷ 39)
- PFC alarm group (No. 40 ÷ 56)

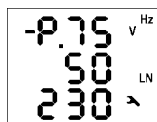
Overview of all the parameters is listed in the tables below.

4.3.1 Parameter Checking & Editing

To check or edit the parameters, press the **P** key. Usually, parameter group 01 is displayed and symbol  (wrench) indicates, that setup data are displayed now.



The parameters are arranged in groups, numbered from 00 up. The number of group is displayed in the first line in format - P.n n (with preceding dash). You can browse through the parameter groups with the  or  keys.



If one parameter only in the group, its value is usually in the bottom line as shown at the example (nominal power 400 kVA).

If two parameters in the group, usually the first of them is displayed in the 2nd line and the second in the 3rd line (nominal frequency 50 Hz and nominal voltage 230 V).

To edit a particular parameter, scroll to its group. Then press and hold the **P** until the value gets flashing. Now release the key and set target value with the **▲** or **▼**, or the **M** key for some of parameters. You can use autorepeat function by keeping one of the arrow keys pressed too. Finally, press the **P** and the value is stored into the memory.

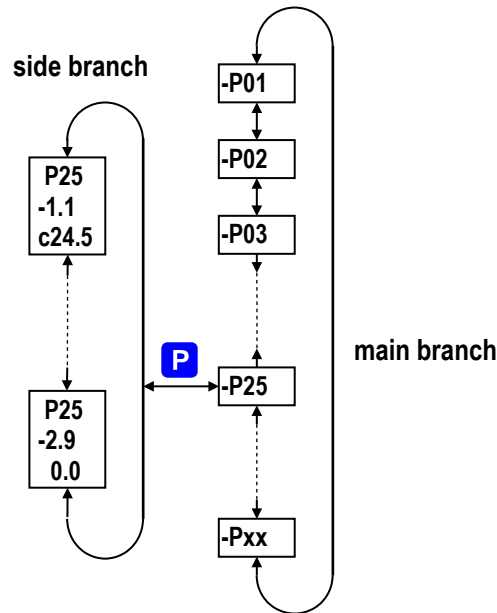
If more parameters in the group, the first one is chosen when entering editing mode for the first time. If you want to modify the second parameter only, simply cancel editing of the first parameter without any change and reenter the editing again – now the second parameter is chosen.

To return back to measured values display, simply press the **M** key. Such return can occur automatically too when no manipulation with the buttons for about 30 seconds.

4.3.1.1 Side Branch Parameters

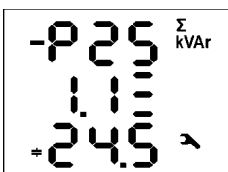
The parameter groups are organized by ordinal number in the main branch – see figure below. *The main branch* is identified with a dash in the 1st line, preceding the parameter group number – for example **- P 25**.

Figure 4.5: Parameter Display – Structure



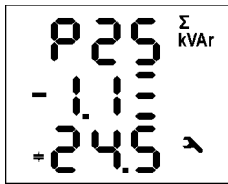
Some of the parameter groups (No. 25÷28, alarm parameter groups No. 40÷56, etc.) are located on side branches for easier navigation. You can switch to a side branch with certain parameters by pressing the **P** key and switch back to the main branch in the same way. Unlike the main branch, when *the side branch* is selected the dash is displayed in the 2nd line.

For example: in the main branch, while showing parameter group 25 (section powers), you will see :



- **P 25** parameter group number with the preceding dash indicating the main branch
- 1.1 - number of the 1st output section
- 24.5 - section 1.1 power : three phase capacitor of 24.5 kvars

Pressing the **P** key you switch to the side branch and the screen changes as follows :



P25 parameter group number without the dash
- 1.1 - number of the output with the preceding dash indicating the side branch

Now you can move up and down in the side branch with with the **▲** or **▼** keys through all sections' values.

Pressing the **P** again returns display to the main branch (the dash returns to the 1st line).

4.3.2 Installation Parameters

4.3.2.1 Instrument Lock – Parameter No. 00

When shipped, parameter editing is unlocked, that means :

- all of the parameters can be edited
- standard average maximums / minimums, electricity meter energies ΣA and electricity meter maximum power demand ΣMD can be cleared

After being put in operation, such operations can be locked (=disabled) to protect the instrument against unauthorized changes. Then operator can only check measured values and parameters, but cannot change anything, excluding special parameter No. 00, that serves as the instrument lock. It has one of two values :

L 0 C instrument is locked

0 P n instrument is unlocked (open)

If the instrument is locked, you can unlock it using the following procedure, which is similar to editing of other parameters:

1. Press the **P** key and scroll to parameter group 00 with arrow keys – value **L 0 C** is displayed.
2. Press the **P** and hold it down until the value is replaced with flashing number between **000** and **999**. As an example, you can imagine flashing **345** is displayed.
3. Press the following sequence: **▼, ▲, ▲, ▼**. The value changes gradually to **344, 345, 346, 345**, so the same value is shown at the end as at the beginning.
4. Press the **P**. The flashing number is replaced with **0 P n**, indicating unlocked state.

The digit shown while entering the unlocking keypress sequence is random and it is not important for correct unlocking (it is there only to confuse). Only the sequence of keys pressed is important and must be followed exactly.

The instrument can be locked in a way analogous to unlocking but it is necessary to press any keypress sequence that is different from the unlocking sequence noted above.



*If an instrument is locked or unlocked by the user management (for details see the application note No. 004 : Users, passwords and PINs), message **U S r** is shown in the second line and unlocking/locking is available via a communication link by using the user management only.*

Tab. 4.2 : Installation Parameters

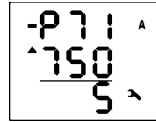
#	parameter group	range	default	comment
00	lock	LOC / OPN	OPN	see Instrument Setup Locking / Unlocking
71	CT – ratio, multiplier screen 1 : row 2 : nominal primary current row 3 : nom. secondary current (for “X/100mA”, “X/333mV” fixed) screen 2 : MUL – current multiplier	primary : 1A ÷ 10 kA sec. : 5A / 1A (0.1A) (0.1 A, 0.333 V) 0.001 ÷ 999	5 / 5 A 1	secondary current selection with the M key par. placed in side branch if the current multiplier different from 1 the ▲ / ▼ flashes
72	connection type row 2 : U1-angle row 3 : connection type	6 combinations 1Y3 / 1D3	--- 1Y3	
74	conn. mode: direct (---) or VT-ratio, mult. screen 1 : row 2 : primary U [kV] row 3 : secondary U [kV] screen 2 : MUL – voltage multiplier	0.001 ÷ 65 kV 0.001 ÷ 0.999 kV 0.001 ÷ 999	direct (- - -) 1	parameters placed in side branch if the voltage multiplier different from 1 the ▲ / ▼ flashes
75	f _{NOM} , U _{NOM} row 2 : f _{NOM} [Hz] row 3 : U _{NOM} [V / kV]	50 / 60 Hz 50 V ÷ 1MV	50 230	U _{NOM} specification depending on connection mode : - direct : line-to-neutral - via VT : line-to-line
76	ΣP _{NOM} [kVA / MVA]	1 kVA ÷ 999 MVA	-	
77	averaging period row 2 : for U/I group row 3 : for P/Q/S group	0.01 ÷ 60 (1 sec ÷ 60 mins)	1 min 15 min	floating window type averaging method applied as default
78	avg period for ΣMD, EI-meter d. mode line 2 : averaging period for ΣMD line 3 : Electricity meter display mode	0.01 ÷ 60 “4E+MD” / “8E”	15 min “4E+ MD”	floating window type averaging method applied as default
79	fund. harmonic PF display format	cos / tan / fi	cos	
80	backlight	AUT / ON	AUT	AUT-mode : the backlight is switched off automatically after app. 5 mins if no key is pressed
85	communication interface 1 (and 2, opt.) for RS-485 / M-Bus : screen 1: row 2 : address row 3 : rate [kBd] screen 2: Prt (protocol) – databits & parity for Ethernet: screen 1 : DHCP screen 2÷5 : IP1÷ IP4 (IP) screen 6÷9 : MA1÷ MA4 (Subnet Mask) screen 10÷13 : Gt1÷ Gt4 (Gateway)	1 ÷ 255 2.4 ÷ 460 8 / 9-n / 9-E / 9-0 ON / OFF 0 ÷ 255 0 ÷ 255 0 ÷ 255	1 9.6 8 OFF 10.0.0.1 255.255.255.0 10.0.0.138	parameters placed in side branch
89	instrument status (read only) row 2 : failure specification row 3 : serial no. & instr. version (scroll)	0 ÷ 255 -	0 -	r. 2 : 0 = failure-free r. 3 : S...serial no. F... firmware version b...bootloader version H...hardware version



4.3.2.2 Current and Voltage Multiplier

To get better precision when using overweighted CTs, you can apply more windings of measured wire through the transformer. Then you must set so called multiplier. The current multiplier parameter is placed in side branch of the P.71 parameter group and it is marked as “MUL”. For example, for 2 windings applied, set the multiplier to $1/2 = 0.5$.

For standard connection with 1 winding, the multiplier must be set to 1.

Similarly, the voltage multiplier can be set too (P.74 parameter group).



If the multiplier is set different from 1 the CT-ratio (or the VT-ratio) is displayed with leading flashing arrow  or , depending on the multiplier value is higher or lower than 1.

At direct voltage connection mode (without VT), the voltage multiplier is not used and its value is not displayed.

4.3.2.3 Backlight Parameter, No. 80

LCD display backlight can be set as permanently on (**ON**) or to auto-off mode (**AUT**), in which it is switched off automatically during approx. 5 minutes if no button is pressed to decrease the instrument power dissipation.

4.3.2.4 Other Parameters

Other parameters functions are explained :

- connection setting parameters No. 71 ÷ 76 in the chapter *Measured Electrical Quantities Installation Setup* above (*the Commissioning part*)
- average values processing setting parameters No. 77 in the chapter *Average Values Evaluation* below
- average period for Σ MD & electricity meter display mode parameters No. 78 in the chapters *Embedded Electricity Meter Processing* further below and *Electricity Meter* above
- fundamental harmonic PF display mode No. 79 in the chapter *Fundamental Harmonic Power Factor Formats $\cos\phi/\tan\phi/\phi$* above
- communication parameters No. 85 ÷ 86 in the chapter *Computer Controlled Operation* below

4.3.3 PFC Control Parameters

4.3.3.1 Target Power Factor for Tariff 1/2, Parameter No. 01/06

The value of target power factor for tariff 1/tariff 2 is displayed in the line 2 of the parameter group 01/06. Negative value means lagging power factor, the positive one leading power factor.

It can be specified in one of three formats :

- **cos ϕ** ...cosinus of the voltage and current phasors angle; range -0,80 ÷ 0.80
- **tan ϕ** ...tangens of the voltage and current phasors angle; range -0,75 ÷ 0.75
- **ϕ** ...voltage and current phasors angle in degrees; range -35° ÷ +35°

To toggle between the formats, use the **M** key while the parameter editing.



When a power factor decimal point flashes the offset control is activated. See parameter 13.

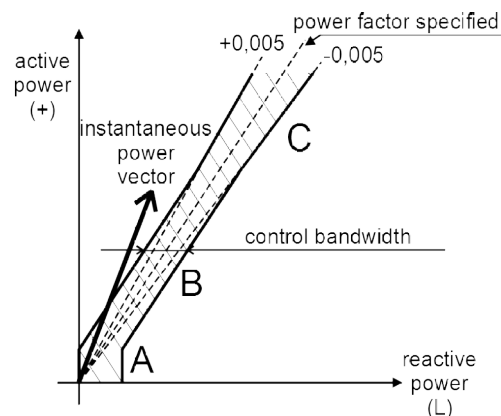
Tab. 4.3 : PFC Control Setup Parameters

#	parameter group	range	default	comment
01	target PF & bandwidth, tariff 1 line 2 : target PF (cos/tan/φ) line 3 : control bandwidth	- 0.80 ÷ 0.80 (cos) 0.000 ÷ 0.040 (cos)	(cos) 0.98 0.010	Other available formats : „tan“, „φ“. Toggled with the M key.
02	control time UC/OC, tariff 1 line 2 : c. time at undercompensation (UC) line 3 : c. time at overcompensation (OC)	5 sec ÷ 20 min 5 sec ÷ 20 min	3 min 30 sec	No „L“: control time reduction by squared proportion “L“: linear c. time reduction
03	offset power, tariff 1	any	0	Value corresponds to U_{NOM} specified; p Displayed when <i>offset control</i> set only.
05	tariff 2 control & actual tariff line 2 : actual tariff (state) line 3 : tariff 2 control	t=1 / t=2 OFF / dig. input (InP) / power (P)	OFF	Actual tariff is not any presetable parameter; it indicates actual tariff state only
06	target PF & bandwidth, tariff 2 line 2 : target PF (cos/tan/φ) line 3 : control bandwidth	- 0.80 ÷ 0.80 (cos) 0.000 ÷ 0.040 (cos)	(cos) 0.98 0.010	Other available formats : „tan“, „φ“. Toggled with the M key.
07	control time UC/OC, tariff 2 line 2 : c. time at undercompensation (UC) line 3 : c. time at overcompensation (OC)	5 sec ÷ 20 min 5 sec ÷ 20 min	3 min 30 sec	No „L“: control time reduction by squared proportion “L“: linear c. time reduction
08	offset power, tariff 2	any	0	Value corresponds to U_{NOM} specified; p Displayed when <i>offset control</i> set only.
10	tariff 2 control power	0 ÷ 120 % P_{NOM}	0	Displayed when <i>tariff 2 control</i> set to <i>power</i> only.
11	control strategy	3p+1p (31P) / 3p (3P) / 3*1p (1P)	3p+1p (31P)	
12	choke control & choke control limit PF line 2 : choke control line 3 : choke control limit power factor	OFF / mixed (M) / non-mixed (nM) - 0.80 ÷ 0.80 (cos)	OFF 1.0	Choke control limit power factor displayed when <i>choke control</i> set to <i>mixed</i> only.
13	offset control	OFF / On	OFF	

4.3.3.2 Control Bandwidth on High Loads for Tariff 1/2, No. 01/06

The parameter is displayed in the line 3. Using it you can specify the control bandwidth on high loads (see Figure 4.6). The value entered specifies the range of reactive power in the C zone which constitutes condition considered as compensated, making the controller stop control interventions.

Fig. 4.6 : Standard Control Bandwidth



On low loads (zone A) and on medium loads (zone B), the control bandwidth is constant and corresponds to the O_{MIN} value (reactive power of the minimum output) – the band follows the power factor slope specified at width $\pm(O_{MIN})/2$. On high loads (zone C) the bandwidth increases so its limits correspond to adjustable deviation from the target power factor. For the cosine target power factor format , the standard bandwidth value in this zone is 0.010 or ± 0.005 – this condition is shown in the figure. If thus, for example, the target power factor is specified as 0.98, reactive power corresponding to power factor from 0.975 to 0.985 will be considered compensated condition in zone C.

The control bandwidth format is the same as the target power factor. It can be set in range $0.000\div 0.040$ if the target power factor format is *cosinus*; if the format is *tangens* or *angle* , the control bandwidth range is $0.000\div 0.030$ or $0\div 15^\circ$, respectively.

Control bandwidth increase may especially be useful in systems with large control range – avoiding uselessly precise control on high loads reduces the number of control interventions which results in longer contactor service life. If the parameter values is decreased to 0, the control bandwidth corresponds to value O_{MIN} (constant, not widening).

Note: On low loads, the control bandwidth is “bent” (zone A) to prevent undesired overcompensation (the illustration is a simplification).

4.3.3.3 Control Time for Tariff 1/2, No. 02/07

Power factor control passes discontinuously as a sequence of *control interventions*. The period between two consecutive control interventions is called *control time*.

The values for tariff 1 and tariff 2 can be specified in the range from 5 seconds to 20 minutes. It can be set different for undercompensation (marked as **UC**, in line 2) and overcompensation (**OC**, line 3) cases.

The value specified determines the frequency of control interventions under the following conditions:

- instantaneous power factor is either more inductive than the value required – undercompensated – or more capacitive – overcompensated
- the difference between reactive power instantaneous value in the power system and optimum value, which corresponds to the target power factor setting (= control deviation, ΔQfh), is just equal to the smallest output reactive power (O_{MIN})

If the parameter value is set to say 3 minutes and the above mentioned conditions are met in the power system, the controller calculates optimum compensation and carries out control intervention every 3 minutes.

The time mentioned gets shorter in proportion to the instantaneous control deviation. If control time without additional character “L” is set, it gets shorter as square of control deviation over the smallest output reactive power (O_{MIN}). If the control time with additional character “L” is specified, it gets shorter in proportion to this ratio (“L” = Linear, causes slower response to large deviations). Rising control deviation can decrease this value to the minimum control time of 5 seconds.

On the contrary, if the ΔQfh control deviation is smaller than the smallest output reactive power (O_{MIN}), control time gets twice as long. If the control deviation falls further under half of the smallest capacitive section current value (O_{MIN}), no control interventions take place.

The control time countdown can be checked in the 3rd line of the three-phase control deviation $\Sigma\Delta Qfh$ window.

4.3.3.4 Offset Power for Tariff 1/2, No. 03/08

These parameters are meaningful when *offset control* (parameter 13, see below) is activated only. Unless this control mode is active, they do not appear.

The parameters specify *nominal value of the offset reactive power* for tariff 1, respectively for tariff 2. In the parameter you can specify not only the 3-phase reactive power value but the “offset power type” as well, in exactly the same way as compensation section powers (see parameter 25).

For example, if an offset control is required due to a front-end capacitor, you must specify capacitive offset power value. The controller will then intentionally undercompensate at its connection node just by the size of the specified offset power value.

Like the section powers, their values correspond to nominal three-phase power (i.e. at voltage corresponding to the preset compensation system nominal voltage U_{NOM}). The actual value of the offset power is, as well as for capacitor and choke powers, dependent on the actual network voltage.

4.3.3.5 Tariff 2 Control, No. 05

The controllers feature two sets of the above described control parameters. Each of the sets – marked as **1** and **2** - comprise following parameters :

- target power factor
- control bandwidth
- control times (*UC* and *OC*)
- offset power

The *tariff 2 control* parameter decides if the control process uses the first set of basic control parameters only or if, under certain circumstances, the second set of parameters for tariff 2 is used as well. The parameter can be set to :

- **OFF** ... the controller uses tariff1 parameters set only, the tariff 2 set parameters are irrelevant
- **INP** ... (=input) actual tariff set is controlled by external signal. If the controller's digital input is *not activated* the *tariff1* set is used; if the controller's digital input is *activated* the *tariff2* set is used. This option is relevant only for controllers equipped with digital input.
- **P** ... (=power) actual tariff set is controlled by actual three-phase fundamental harmonic active power ΣP_{fh} . For details see *the tariff 2 control power* parameter (No. 10) description further below.

By default, the *tariff 2 control* parameter is off. The tariff 2 set of parameters is not significant in such an event, so the parameters are not shown.

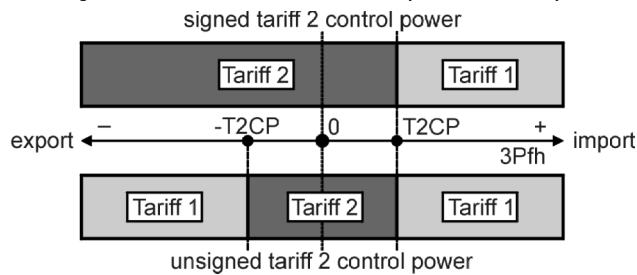
If the tariff 2 control parameter is not off, you can check which tariff set of parameters is currently active in the 2nd line of the parameter screen : for example, message **T = 2** indicates that the tariff 2 is currently active.

4.3.3.6 Tariff 2 Control Power, No. 10

If the *tariff 2 control* parameter (No. 05) is set to **Power**, the 2nd set of the parameters listed above apply as soon as actual three-phase fundamental harmonic active power ΣP_{fh} drops below the preset level of the tariff 2 control power parameter. This limit value is set in percent of preset nominal power P_{NOM} .

If the tariff 2 control power parameter is entered with both of the symbols ▼ and ▲ interprets it as “**unsigned**” limit value of power. In such case the tariff 2 applies as soon as *absolute value* of the ΣP_{fh} power drops below preset level “T2CP”, i.e. inside the middle zone positioned symmetrically to both sides of zero power axis - see the lower tariff zone bar on the following figure.

Fig. 4.7 : Tariff 2 Control Power Specification Options



On the contrary, if the *tariff 2 control* parameter is entered with the symbol ▼ only the controller takes it as “**signed**” limit value of power. In such case the tariff 2 parameters applies as soon as positive ΣP_{fh} power drops below the preset level “T2CP” and keeps applied down to zero level and farther to all negative halfplane - see the upper tariff zone bar.

4.3.3.7 Choke Control & Choke Control Limit Power Factor, No. 12

The instrument allows connecting chokes for power system decompensation. The decompensation system can be built as combined, in which case both chokes and capacitors are connected to the controller, or only chokes are connected. The control deviation evaluation and the control time countdown is derived from power of the smallest capacitor or of the smallest choke, whichever is less.

The decompensation chokes can to be connected to any of outputs. But in case of combined decompensation systems, it is recommended to connect capacitors to the outputs 1.1÷1.4 in order the *CT-test* (see further below) can be optionally used.

By default, the choke control (in the line 2) is set as **OFF** in a shipped controller or after its initialization. With this setting the controller does not use chokes (or, generally, sections with inductive character) that are available - such sections are permanently disconnected. Furthermore, neither available chokes in the automatic output recognition (AOR) process are detected.

In order the AOR process to determine values of the chokes connected and the controller to use the chokes for power factor control, the *choke control* parameter must be activated first: either **MI** (=M=mixed) or **NI** (=NM=non-mixed) choke control mode must be set.

4.3.3.7.1 Mixed Choke Control

Usually, one or few chokes only are installed in combined compensation systems. To reach sufficient precision of power factor control, a suitable set of capacitors are added to the choke(s) and controller freely combines both the chokes and the capacitors as needed to reach preset target power factor. We will call this mode as *mixed mode*.

If the mixed mode set, note that the *choke control limit power factor* parameter setting displayed in the line 3 affects the control operation too (see below).

If the mixed mode set, a choke is connected under the following circumstances:

- controller has disconnected all capacitive sections
- power factor is still more capacitive (leading) than that required and also more capacitive than the choke control limit power factor value specified (exception: while offset control activation, this limit is neglected)
- a choke is available at least at one output and it has such a value that after its connection it will be possible to control the power factor to desired value using a combination of capacitive sections, that is large undercompensation will not occur after its connection

If a number of chokes are available to the controller, the most suitable one, depending on their values, is connected, and another one is connected if the above described situation has lasted for another overcompensation control time specified.

If a combination of chokes are connected and undercompensation occurs, such a number of chokes are disconnected after the undercompensation control time has elapsed, which prevent overcompensation.

4.3.3.7.2 Choke Control Limit Power Factor (for Mixed Choke Control)

In mixed choke control mode, this parameter specifies power factor value at which the controller starts using, besides capacitive sections, inductive compensation sections for compensation as well – chokes (if available). Its value can be set in the line 3.

If the power factor measured is more inductive (current more lagging) than the value specified in this parameter, the controller uses only capacitive sections (capacitors) to control compensation.

If the power factor in the power system changes so that it is more capacitive (current more leading) than the choke control limit value, the controller starts using combination of capacitive and inductive compensation sections for compensation.



Exception: This rule does not apply when offset control (see below) is activated ! In this case, the value of measured power factor is not decisive and the controller uses both capacitive and inductive sections, regardless of its value. This is true even if the offset power value is set to zero.

4.3.3.7.3 Non-Mixed Choke Control

There exist some applications (such as renewable resources power plants) where continuous power factor control in some range, usually symmetric to both sides from neutral value of 1, is required. In such cases the same or similar sets of both capacitors and chokes are installed.

The mixed choke compensation mode is often unsuitable for such installations. Therefore, so called *non-mixed mode* is implemented, that differs from the mixed one in following :

- during one control step, the controller switches combination of chokes to reach optimal power factor
- the controller never combines capacitors with chokes (first, it switches all of capacitors off, then switches chokes on and vice versa)

The choke control limit power factor parameter setting is irrelevant for this control mode, therefore it is not displayed.

4.3.3.8 Offset Control, No. 13

In some cases it may be necessary to control "shifted" by a certain value of reactive power. A typical example is an installation of a power transformer compensating capacitor permanently connected to the transformer before the controller CT, or an installation of long power cable with not-negligible parasitic capacity. In such cases, so called *offset control* can be used.

As default, the parameter is **off**. In this setting, the offset control is disabled and the controller maintains the preset target power factor value.

If you set it to **on**, the offset control is activated with following consequences :

- *offset power for tariff 1* (No. 03 and , optionally, No. 08 for *tariff2* too) parameters appear and can be set in the PFC control setup group of parameters
- after the power factor control deviation (i.e. reactive power difference to achieve target power factor) is evaluated, the controller adds to it appropriate preset offset power value. Therefore, it controls to this "shifted" reactive power.

- if the offset power set to nonzero value flashing decimal point of both measured power factor values and target power factor (parameter 01/06) indicates that the offset control is active

Example:

A compensation capacitor with a nominal value of 5 kvar is permanently connected to a power transformer, which is before the controller CT. It is required to control the target power factor of 1.00, which is to be registered by an electricity meter, measuring whole transformer load. Then the controller must then set as follows:

- set target power factor to 1.00
- turn the offset control on
- set the offset power to 5 kvar (capacitive)

When, for example, an active load of 15 kW occurs, then balanced state will be reached at power factor of approximately 0.95 (measured by the controller). This value corresponds to the ratio of 5kvar / 15 kW. In other words, the controller will intentionally undercompensate by 5 kvar at the connected network point in order the target power factor of 1.00 to be reached in the electricity meter connection point, where the permanent capacitor comes to the effect.



When the offset control is activated, the choke control limit power factor parameter value gets irrelevant.

4.3.4 PFC Output Parameters

4.3.4.1 Automatic Output Recognizer (AOR) Launch, No. 20

With the automatic output recognition (AOR) process, the controller can detect both the output types (capacitor / choke, single/two/three/phase) and their reactive power sizes itself, without having to enter them manually.

The parameter setting options are :

- **OFF** ... The AOR process is never launched automatically
- **A** ... (=Auto) The AOR process is launched automatically under certain circumstances (see below)

Furthermore, with the third option – **run** – you can launch the AOR process manually (if all necessary conditions are fulfilled). By this, the basic parameter setting (either *off* or *auto*) stays unchanged – *the run* is “single-shot” command only and doesn’t change the AOR parameter setting.

The AOR process can be successfully launched under following conditions :

- measurement voltage, at minimum value required, is connected
- no alarm actuation is activated

If these conditions are met, the controller starts the AOR process :

- automatically if the AOR parameter is set to **Auto** and the controller is in the control state (i.e. it is not in the manual state); the process is automatically restarted each 15 minutes until at least one compensation section with non-zero reactive power is recognized
- if being launched manually with **the Run** command in the AOR setting

The AOR process is described in details in corresponding chapter below.

Tab. 4.4 : PFC Output Setup – Overview of Parameters

#	parameter group	range	default	comment
20	automatic output recognizer (AOR) starting	OFF / auto (A)	auto	Furthermore, the AOR can be launched manually with the „run“ option
21	manual filler; 3 subparameters : 1. min. output type & nom. power (O_{MIN}) 2. output ratio 3. count of outputs	any 11111 ÷ 12488 0 ÷ 18	C123 1 kvar 11111 0	
25	output type & nominal power, No.1.1 ÷ 3.6 in subparameters	any	0	Value corresponds to U_{NOM} specified.
26	output control state No.1.1 ÷ 3.6 in subparameters	control / fixed-on / fixed-off / fan / heating / alarm-on / alarm-off	control	Fan, heating and alarm options available at three upper outputs only
27	output switching operations count No.1.1 ÷ 3.6 in subparameters	-	-	Not a presetable parameter. Can be cleared only.
28	output switch-on time [hours] No.1.1 ÷ 3.6 in subparameters	-	-	Not a presetable parameter. Can be cleared only.
29	the ultimate output fan/heater temperature thresholds line 2 : “on” temperature threshold [°C] line 3 : “off” temperature threshold [°C]	fan : +10 ÷ +60 °C heater : -30 ÷ -10 °C	fan : +40 °C heater: -5 °C	Skipped if appropriate output control state different from fan / heater.
30	the penultimate output fan/heater temperature thresholds line 2 : “on” temperature threshold [°C] line 3 : “off” temperature threshold [°C]	fan : +10 ÷ +60 °C heater : -30 ÷ -10 °C	fan : +40 °C heater: -5 °C	Skipped if appropriate output control state different from fan / heater.
31	the antepenultimate output fan/heater temperature thresholds line 2 : “on” temperature threshold [°C] line 3 : “off” temperature threshold [°C]	fan : +10 ÷ +60 °C heater : -30 ÷ -10 °C	fan : +40 °C heater: -5 °C	Skipped if appropriate output control state different from fan / heater.
33	output set 2	OFF / 1.2 ÷ 3.6	OFF	
34	set1 (& set2) discharge time line 2 : set1 discharge time line 3 : set2 discharge time	5 sec ÷ 20 min	20 sec	If the output set2 zero the set1 discharge time displayed only.
35	switching mode	intelligent / circular / linear	int.	

4.3.4.2 Manual Output Type & Power Filler, No. 21

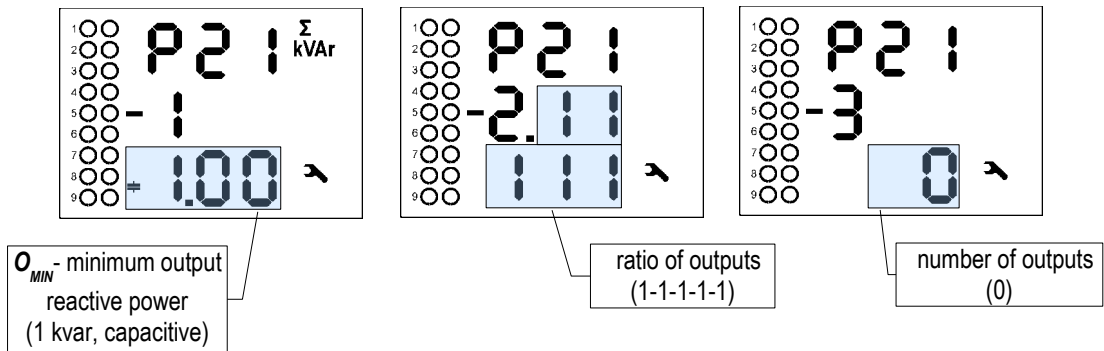
This is not any of controller parameters – it is a tool for easy manual bulk setting of the compensation sections' (outputs) types and powers in the parameter group No. 25.

If :

- although recommended, the AOR process cannot be used for the sections recognition, and
- all of the compensation sections are of the same type, and
- the compensation sections powers are in any of the most usual ratios,

you can use *the manual output type & power filler*.

Fig. 4.8 : Manual Filler



After entering into the side branch of the tool (“the parameter” 21), you can set :

- the output type and minimum (nominal) output reactive power (O_{MIN}) in the 1st window
- the output ratio in the 2nd window
- the total number of outputs in the 3rd window

The output type and power presentation is the same as the individual output type & power in the parameter 25 – see below.

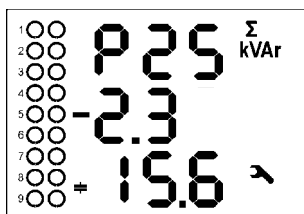
When you enter the manual filler tool side branch, the “parameters” are preset as shown on figure 4.8. Now you can edit values in the first two screens arbitrarily, but until the total number of outputs is set, no change of the outputs setup is done – if the number of outputs is set to zero, no bulk setup is applied.

Only when the number of outputs in the third screen is set to any nonzero value, the bulk setup of outputs occurs.

The controller fills preset number of outputs' types and powers, starting from the output No. 1.1 up, with preset type and appropriate weight of power. Powers of the outputs corresponding to weights 6 and higher are set to the same size as the weight 5. Both control and fixed outputs are filled; only the outputs preset as alarm or fan/heater control are left unaffected.

4.3.4.3 Output Type & Nominal Power, No. 25

Fig. 4.9 :
Output Type &
Nominal Power



All of the sections' (=outputs') fundamental characteristics are listed at the side branches of parameters 25 ÷ 31.

The parameter group 25 contains output types and nominal three-phase reactive powers of the sections.

In the side branch you can scroll through the outputs. On the example at the left you can see :

- output No. 2.3 just listed
- its nominal three-phase reactive power is 15.6 kvars

The output type character – capacitor or choke – can be toggled by editing the output power size below zero.



During editing, the controller checks typed output reactive power value by comparing it with the instrument measurement sensitivity. If the value entered is too low, it is cut to zero.

If an output control state is set to fan/heater control or alarm signalling (see below), its type and power are irrelevant.



These parameters can be set automatically using the AOR process. For manual setting, the manual output type & power filler can be used too – see above.



If an output was detected as defective, it is marked with flashing decimal point of its number.



If an output was detected and marked as defective (for details see the output error alarm description), this state can be cancelled and the output reincluded into power factor control process by editing of its power or type.

4.3.4.4 Output Control State, No. 26

The output control state parameter can be set to :

- **C O n** ... (=control) The output is used for power factor control process.
- **F I** ... (=fixed-on) After the controller being powered, the output, after preset discharge time expires, is switched on and kept permanently closed. It is not used for the power factor control process. The only case when such output is switched off is any of appropriate alarm actuation activation.
- **F O** ... (=fixed-off) The output is permanently switched off, so it is not used for the power factor control process.

During the AOR process or if circular or linear switching mode is set, the fixed outputs are taken as non-existent and they are simply skipped.

Furthermore, the upper three outputs can be set to :

- **F A n** , **H E A** ... (= fan, heater) The output is used for fan/heater control. Threshold temperatures are specified in parameters 29 ÷ 31.
- **A O n** , **A O F** .. (= alarm, active state on/off) The output is used for alarm signalling. For detailed function description see appropriate chapter below.

4.3.4.5 Output Switch Count & Switch-On Time, No. 27, 28

These are not instrument setting parameters – statistics of outputs usage is displayed here :

- parameter group **27** : the output **switching operations** count since the last clearing. The value is important for connected contactor lifetime estimation and is checked by *the NS> alarm*. In case of the contactor replacement you can clear the counter by its editing and selection the **C L r** option.

By checking frequency of switching you can tune other power factor control parameters optimally during the compensation system commissioning.

The value is taken in account during power factor control intervention evaluation in order the contactors to be loaded as uniformly as possible.

- parameter group **28** : the output **switch-on time** since the last clearing. The value is important for connected compensation capacitor (if any) lifetime estimation. In case of the

capacitor replacement you can clear the counter by its editing and selection the **CLR** option.

The value is taken in account during power factor control intervention evaluation in order the capacitors to be loaded as uniformly as possible.

4.3.4.6 Fan / Heater Temperature Thresholds, No. 29 ÷31

If any of three upper outputs are set to the fan or heater control state, these parameter groups bear specification of the temperature range when the corresponding output to be closed or open. Otherwise, the parameter group is hidden.

The relation of the parameters is as follows :

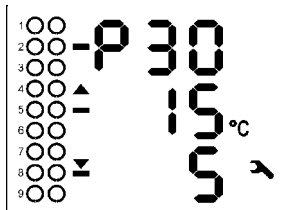
- parameter No. 29 ... the *ultimate* output thresholds (for example, output 2.9 for models 2100 R18)
- No. 30 ... the *penultimate* output thresholds (output 2.8)
- No. 31 ... the *antepenultimate* output thresholds (output 2.7)

For other models, the relation is analogous : for example, for the “2100 R15” models, corresponding outputs are 2.6/ 2.5 / 2.4.

Each of the parameter group contains :

- switch-on threshold in line 2, marked with symbol ▲
- switch-off threshold in line 3, marked with symbol ▼

Fig. 4.10 :
Heater Temperature
Thresholds



On the example at left we can see :

- thresholds for the penultimate output (probably set as heater), i.e. the output 2.8 for „2100 R18“ models
- the output 2.8 will be closed as soon as temperature drops down to -15°C
- the output will be opened as soon as temperature reaches -5°C

4.3.4.7 Output Set 2, No. 33

With this parameter you can divide the controller outputs into two so called “sets”. Then some output parameters can be specified individually for each of the sets.

As default, the **Set 2** parameter is **Off**. In such case all of outputs are comprised into *set 1* and the *set 2* does not exist.

The *output set 2* parameter can be set to any outputs from No. 1.2 up. If, for example, set to the output No. 1.7, two sets are defined :

- **set 1** comprises 6 outputs from No. 1.1 through 1.6
- **set 2** comprises outputs from 1.7 up, i.e. remaining (at maximum) 18 outputs No. 1.7 through 1.9, 2.1 through 2.9 and 3.1 through 3.6

In other words the *set 2* parameter defines beginning output of the set 2.

For now, only the *discharge time* parameters can be set individually for the two sets. There can be more of such parameters in the next firmware versions.

4.3.4.8 Discharge Time for Output Set 1 / 2, No. 34

All of capacitor-character outputs are protected against early reconnection for preset discharge time after being switched off. During this time, the control process lets such outputs off and even manual attempts for closing such outputs are blocked.

As default, *the output set 2* parameter (see below for details) is off. Then, *the discharge time for output set 1* displayed in the 2nd line is relevant only and used for all of outputs. *The discharge time for output set 2* parameter is not displayed at all.

If *the set 2* parameter is active, two discharge times are displayed :

- discharge time for output set 1 in line 2
- discharge time for output set 2 in line 3

A discharge time is displayed in format “MM.SS” (minutes.seconds).

4.3.4.9 Switching Mode, No. 35

In most of applications it is recommended to let the controller to use the compensation steps during power factor control process without any limitations. In such case, it optimizes usage of the outputs in order to reach maximum whole compensation system lifetime.

In special cases you can force the controller to keep particular sequence of outputs' switching with *the switching mode* parameter setting :

- **I n t** ... (=intelligent) No limitation for the switching sequence. The controller uses the outputs optimally. Default, recommended for most of applications.
- **C i r** ... (=circular) In this mode the controller connects or disconnects compensation sections in the circular fashion, which means:
 - always the output that was disconnected first (i.e. that is disconnected for the longest time) is connected first
 - always the output that was connected first (i.e. that is connected for the longest time) is disconnected first

This switching mode can be usually used only if compensation outputs of the same type and power, otherwise power factor control process will not work optimally

- **L i n** ... (=linear) In this mode the controller connects or disconnects compensation sections in the linear fashion, which means:
 - always the lowest in order not yet connected compensation section(s) is/are connected
 - always the highest in order connected compensation section(s) is/are disconnected

This mode is determined for harmonic filters control. It is strongly recommended not to activate linear switching mode at standard power factor compensation applications, otherwise quality of control process will be decreased !

The sections with non-zero reactive power only that are *not permanently connected or permanently disconnected or used for alarm, fan or heater control* are considered compensation sections involved in the control process (“control sections”). That means that for both circular and linear switching modes, when the controller selects next sections to be switched on or off, the remaining „non-control sections“ are simply skipped.

When selecting the linear switching mode, the AOR is disabled and cannot be launched on - the sections' types and powers must be set manually.



4.3.5 PFC Alarm Parameters

The controllers evaluate various nonstandard conditions (such like measured quantities' extreme values) and, by the PFC alarm setting, various *alarms* can be activated.


Each of the alarms has two functions :

- alarm indication (*I*)
- alarm actuation (*A*)

If **the alarm indication** is set and appropriate alarm condition keeps fulfilled for preset time, the alarm indication gets active which means :

- flashing alarm symbol  appears at a measurement values branch. Then in alarm setup parameters you can look up the alarm event which activated the alarm : scroll through parameters 40 ÷ 56 and you can detect the alarm source according lit symbol  - in the alarm setup parameters, flashing general alarm symbol is replaced with permanently lit or hidden alarm symbol indicating current active/passive state of the listed alarm.



If indication function of any alarm is active (symbol  flashes at measurement values branch window), the first of these alarms parameter window is listed automatically when switching to parameter branch.

- if any of outputs is set as alarm output, the appropriate output switches to preset active state. (on/off) according the parameter 26 setup

Unlike alarm actuation described below, the alarm indication function has no effect on the PFC control process.

For most of the alarm events, you can set **the alarm actuation** function too. The actuation means intervention in the control process, mostly interruption of controller operation, usually with subsequent disconnection of all compensation outputs and mostly fixed outputs too.

Individual alarms are indicated with (see table *PFC Alarm Setup – Overview of Parameters*) :

- *alarm number* ... range 01 ÷ 17, for example the voltage loss alarm number is 01
- *alarm mark* ... for example the *U<<* means voltage loss alarm

The PFC alarm setup group starts at parameter group No. 40. You can scroll through all the alarms and check their main setup and actual state. In the side branch of each of alarm parameter group there are five subparameters as shown on example on figure 4.11.

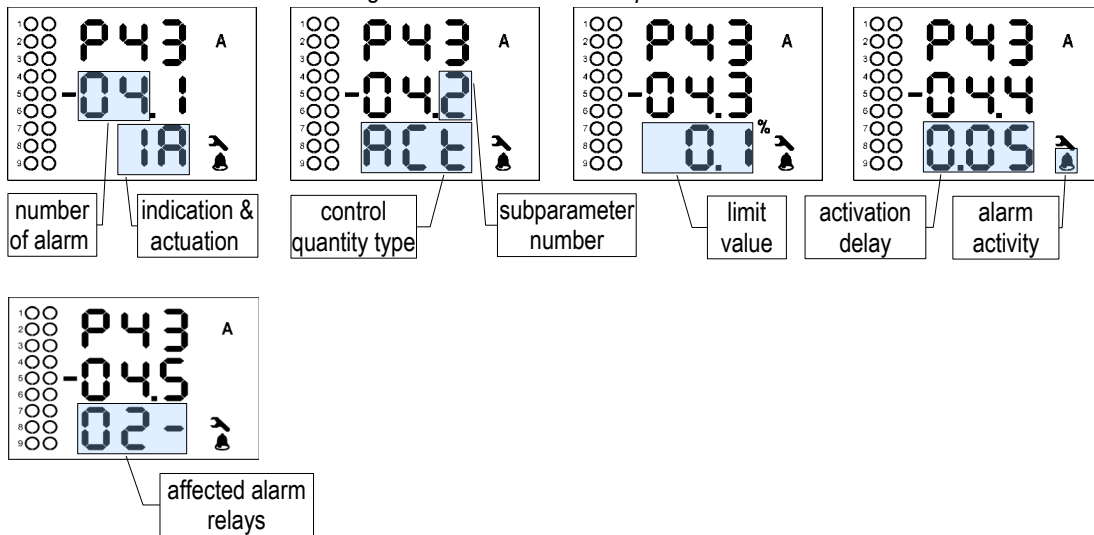
Parameter group No. 43 specifies behaviour of *he undercurrent alarm* (mark "*I<*"). Its number 04 is displayed in the first two characters of line 2. The third character is number of the alarm subparameter :

- 1 ... alarm indication and actuation setting :
 - - - = neither indication nor actuation processed (switched off)
 - *I* - = indication is processed only (set on)
 - - *A* = actuation is processed only
 - *I A* = both indication and actuation are processed
- 2 ... control quantity type :
 - *A C E* = *actual* value (*I*, for example discussed) of the control quantity is used for the alarm condition evaluation
 - *A U G* = *average* value (*I_{AVG}*) is used

- **3** ... the alarm condition limit. Usually in percent of a nominal value. In the example it is set to 0.1 % of the I_{NOM} . For some alarms, it does not exist at all.
- **4** ... activation delay - minimum duration of continuous alarm condition occurrence before the alarm state gets active. With certain exceptions that applies for both activation and deactivation. Expressed in format *minutes.seconds* .
- **5** ... affected alarm relays. Up to three alarm outputs can be set (see parameter 26). Then serial numbers 1 ÷ 3 are assigned to the outputs by order of standard outputs numbering, so the alarm outputs are marked AR1 ÷ AR3. If at least one of outputs is set as such alarm output you can set in the subparameter No. 5 which of the outputs should signal appropriate alarm event. In the subparameter there are three characters corresponding to the alarm outputs (relays) AR1 ÷ AR3. The characters mean :
 - - = corresponding alarm output does not exist (is not set)
 - 0 = corresponding alarm output not affected by appropriate alarm event
 - 1 / 2 / 3 = corresponding alarm output AR1/AR2/AR3 **is affected** by appropriate alarm event

Thus in the example above, alarm No. 04 is indicated by alarm output AR2. Alarm output AR1 is not affected by this alarm event and alarm output AR3 does not exist.

Fig. 4.11 : PFC Alarm Setup – K Alarm



Alarm indication can be set or switched off. For most of the alarms you can set the actuation too.

Alarm actuation usually causes disconnection (step-by-step) of all of affected compensation sections, including the fixed ones. Due to this the controller gets into standby state. Exceptions of this rule are listed in individual alarm overview below.

Permanently lit or hidden alarm activity symbol indicates alarm condition being just active.

Tab. 4.5 : PFC Alarm Setup – Overview of Parameters

#	alarm No., mark	alarm event	control quantity / event	limit setting range	activation (/ deact.) delay	default v. Indication, Actuation	notes
40	01 U<<	voltage loss	U_{LN} (1 period)	20% of U_{NOM} (fixed)	0.02 sec / 5 sec (fixed)	- I + A	simultaneous disconnection
41	02 U<	undervoltage	U_{LN} / U_{LNAVG}	20÷100% of U_{NOM}	1 sec ÷ 20 min	U_{LN} / 70 % / 1 min	
42	03 U>	overvoltage	U_{LN} / U_{LNAVG}	100÷200% of U_{NOM}	1 sec ÷ 20 min	U_{LN} / 130 % / 1min	
43	04 I<	undercurrent	I / I_{AVG}	0÷25.0 % of I_n *)	1 sec ÷ 20 min	I / 0.1 % / 5 sec I + A	fixed sections not affected by actuation
44	05 I>	overcurrent	I / I_{AVG}	100÷140 % of I_n *)	1 sec ÷ 20 min	I / 120 % / 1 min	indication only
45	06 CHL>	CHL limit exceeded	CHL / CHL_{AVG}	80÷300 %	1 sec ÷ 20 min	CHL/133 % / 1min	
46	07 THDU>	THDU limit exceeded	THDU / $THDU_{AVG}$	1÷300 %	1 sec ÷ 20 min	THDU /10 % / 1min	
47	08 THDI>	THDI limit exceeded	THDI / $THDI_{AVG}$	1÷300 %	1 sec ÷ 20 min	THDI / 20 % / 1min	
48	09 P><	P limit exceeded / drop	Pfh / Pfh_{AVG}	0÷99 %	1 sec ÷ 20 min	0 % / 5 sec	fixed sections not affected by actuation
49	10 PF><	PF control failure - PF control deviation out of contr. b'width	ΔQfh / ΔQfh_{AVG}	-	1 sec ÷ 20 min	ΔQfh_{AVG} / 5 min I	indication only
50	11 NS>	number of switching operations exceeded	number of switching operations	1÷9999 thousands	immediat. (0 sec)	100 I	indication only
51	12 OE	output error	section failure	0÷99 % of reading	3 ÷ 15 consecut. occurrences	20 %; 10 I + A	
52, 53	13 T1>< 14 T2><	temperature exceeded / drop	T_i (internal)	-40 ÷ +60 °C	1 sec ÷ 20 min	>+45 °C / 1 sec >+35 °C / 1 sec	
54	15 EXT	external alarm active	digital input state	-	0.02 sec / 5 sec (fixed)	-	simultaneous disconnection
55	16 OoC	out of control	PF control process not running	-	1sec ÷ 20min / imm'tely	15 min	indication only
56	17 RCF	remote control failure	remote con. process state	-	1sec ÷ 20min / imm'tely	1 min	indication only
57	18 PF>	PF control failure - overcompensated	PFfh / $PFfh_{AVG}$	cos : 0.00(C/L) ÷ 1.00	1 sec ÷ 20min	PFfh / 1.00 / 1 min	indication only
58	19 PF<	PF control failure - undercompensated	PFfh / $PFfh_{AVG}$	cos : 0.00(C/L) ÷ 1.00	1 sec ÷ 20 min	PFfh / 0.95L / 1 min	indication only

Notes : *) I_n ... CT secondary rated current; 5A or 1A according the CT-ratio setup

4.3.5.1 Standard Type Alarms

Standard type alarms are controlled by appropriate control quantity – you can usually choose either actual value or averaged value (for the quantities description, see the meter block chapter further below).

Then you can set the quantity limit and the alarm reaction delay; it is mostly valid for both activation and deactivation.

The standard type alarms are :

- **U<** ... undervoltage alarm
- **U>** ... overvoltage alarm
- **I<** ... undercurrent alarm
- **I>** ... overcurrent alarm
- **CHL >** ... CHL limit exceeded alarm
- **THDU >** ... total harmonic distortion of voltage alarm
- **THDI >** ... total harmonic distortion of current alarm
- **P><** ... active power exceeded/drop alarm
- **PF><** ... PF control failure alarm
- **PF>**, **PF<** ... PF control failure – overcompensated / undercompensated

There are following exceptions in the standard type alarms behaviour :

- **I<**, **P><** ... When the undercurrent actuation gets active, fixed sections stay unaffected.
- **I>**, **PF>**, **PF<** ... alarm indication can be set only (no actuation function).
- **P><** ... Function can be set to signed or unsigned control quantity value to be evaluated in the same way as *the tariff 2 control power* parameter (see above). Depending on this, either standard value or absolute value of active power value is compared with the preset limit.
- **PF><** ... Power factor control deviation ΔQ_{fh} is checked for the PF control alarm. But there is not any presetable limit; the alarm gets active as soon as the PF control deviation exceeds actual control bandwidth (usually one half of the reactive power value of the smallest output) for preset delay time.

The alarm has no actuation function.

4.3.5.2 Fast Actuation Reaction Alarms

These alarms have special common features :

- actuation reaction time is 20 ms (fixed)
- affected outputs are disconnected immediately (during 20 milliseconds) and all at once (not step-by-step)
- deactivation delay of the actuation is 5 seconds (fixed)

The fast alarms are :

- **U<<** ... measuring voltage loss alarm. Both the alarm limit and the alarm control quantity are fixed – 20% of preset U_{NOM} voltage and the actual U_{LN} phase (line-to-neutral) voltage, respectively – they cannot be changed.
- **EXT** ... external alarm. The alarm gets active as soon as appropriate voltage (see tech. specifications) is applied to the instrument's digital input terminals. It can be used only at controller models equipped with the digital input, of course.

4.3.5.3 NS> - “Number of Switching Operations Exceeded” Alarm

You can use this alarm for contactors wear-out indication.

The indication limit can be set in subparameter No. 3 – either in thousands (with **k** symbol) or millions (**M**) of switchings. Number of switching operations of individual outputs are checked permanently and as soon as any of the outputs exceeds preset limit, the alarm indication gets active.

After the contactor replacement, the corresponding output switching counter can be cleared manually.

The alarm has no actuation function.


4.3.5.4 OE - “Output Error” Alarm

This alarm is intended for faulty section indication and disablement.

If at least the alarm indication is set, the controller continually checks reactive power changes in the power system during the control process as the sections are connected and disconnected and compares them with each section’s power preset in its memory. All of the single-phase reactive power components are checked individually.

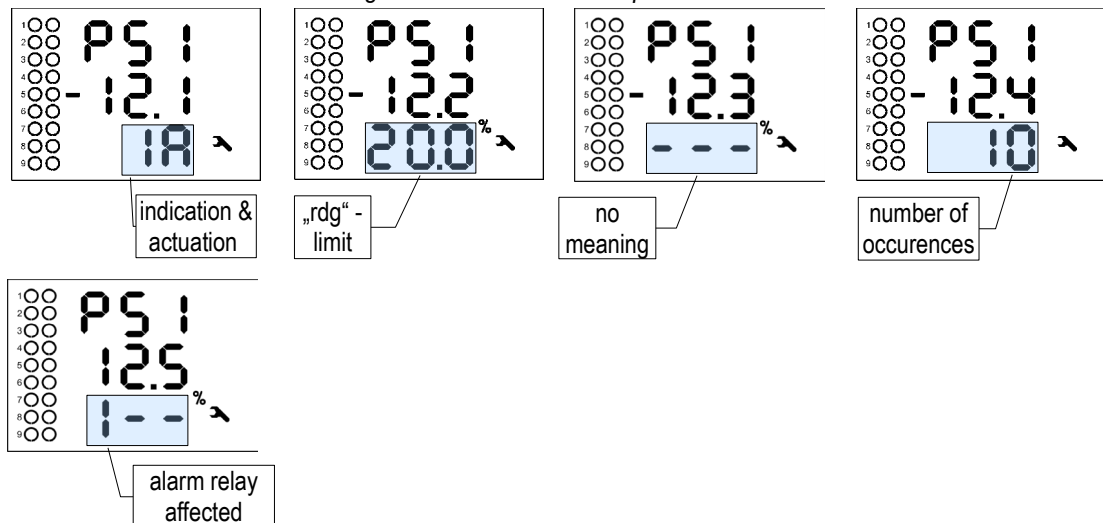
If connecting and disconnecting a section does not repeatedly result in adequate change to reactive power in the power system (or a change to reactive power measured is very different from the section power value), the controller tags such a section as faulty and, if the alarm actuation has been set too, it will disable the section and stop using it in further compensation temporarily. Such section is tagged with flashing decimal point of its number in the parameter 25.



If indication function of the OE alarm is active, faulty sections are marked with appropriate symbols  flashing when the OE alarm parameter group window is listed.

If the alarm actuation is not set, the controller will only tag the faulty section, trigger alarm indication, but will keep using the section in compensation process.

Fig. 4.12 : PFC Alarm Setup – OE Alarm



Excluding the indication/actuation and affected alarm relays, following parameters can be set :

- **Limit – rdg** ... maximum allowed single-phase power difference component in percent of the power value (“reading”); default value is 20%

- **“Delay”** ... minimum number of consecutive following out-of-tolerance measurement events of the same tolerance polarity to force the alarm active (number of switchings on/off); default value is 10 occurrences

For example, for the alarm setting above, if the three-phase output power is 10 kvars (i.e. corresponding single-phase power is 3.33 kvars) the single-phase rdg-component is

$$10000 / 3 \times 0.2 = 667 \text{ vars}$$

Real deviation tolerance is slightly higher – 700 vars, approximately. That means if the controller detects the output phase power size approximately lower than $3333-700=2633$ vars or higher than $3333+700=4033$ vars it classifies the output power out of tolerance.



*If power factor control strategy is set to **3p** total three-phase power is checked only; deviations of individual phase powers are ignored.*

If preset number of consecutive out-of-tolerance detections of particular section with the same tolerance polarity occurs, i. e. the output response was continuously lower (or higher) for preset times, the alarm gets active; the output is tagged and - depending on the alarm setting - it is disabled too.

The section that has been temporarily disabled is periodically, about every four days, checked by including it in compensation for one switching operation. If the controller detects a relevant response in the power system (within adequate allowance) to connecting the section, it will include the section back in the control process again. In this way, for example, a repaired section is automatically included in compensation (after replacing section fuse, for instance).

If the controller does not put a disabled section back to compensation automatically, such reinclusion in the control process will take place in the following situations:

- power supply interruption or controller initialization
- editing the section's type or the section's value (in parameter 25)
- new automatic output power recognition (AOR) process

4.3.5.5 T1>< (T2><) - “Temperature Exceeded/Drop” Alarm

These two fully independent alarms use temperature as their control quantity. So called *internal temperature* T_i is used. This temperature is measured with the sensor which is built inside the instrument.

The alarm functionality is similar to the standard type alarms. The only difference is that you can set not only the threshold temperature (limit) but the polarity of its deviation - ▲ or ▼ - too with the **M** key. Therefore, the alarm can be activated by both overheating (> limit, ▲) and overcooling (< limit, ▼).

4.3.5.6 OoC - “Out of Control” Alarm

This alarm can be used for signalling of states when power factor control doesn't run. Such states can be :

- the controller is switched into the manual state
- the controller is switched into the control state, but power factor control process doesn't take place due to any cause such like :
 - the instrument is forced into *the standby* state (see below for details)
 - automatic output recognition (AOR) process in progress
 - the CT connection test in progress

If such state lasts continuously for preset delay time, the alarm gets active. As soon as the power factor control process resumes the alarm is deactivated immediately.

4.3.5.7 RCF - “Remote Control Failure” Alarm

This alarm will serve for remote control problem signalling in future. Now it is not functional.

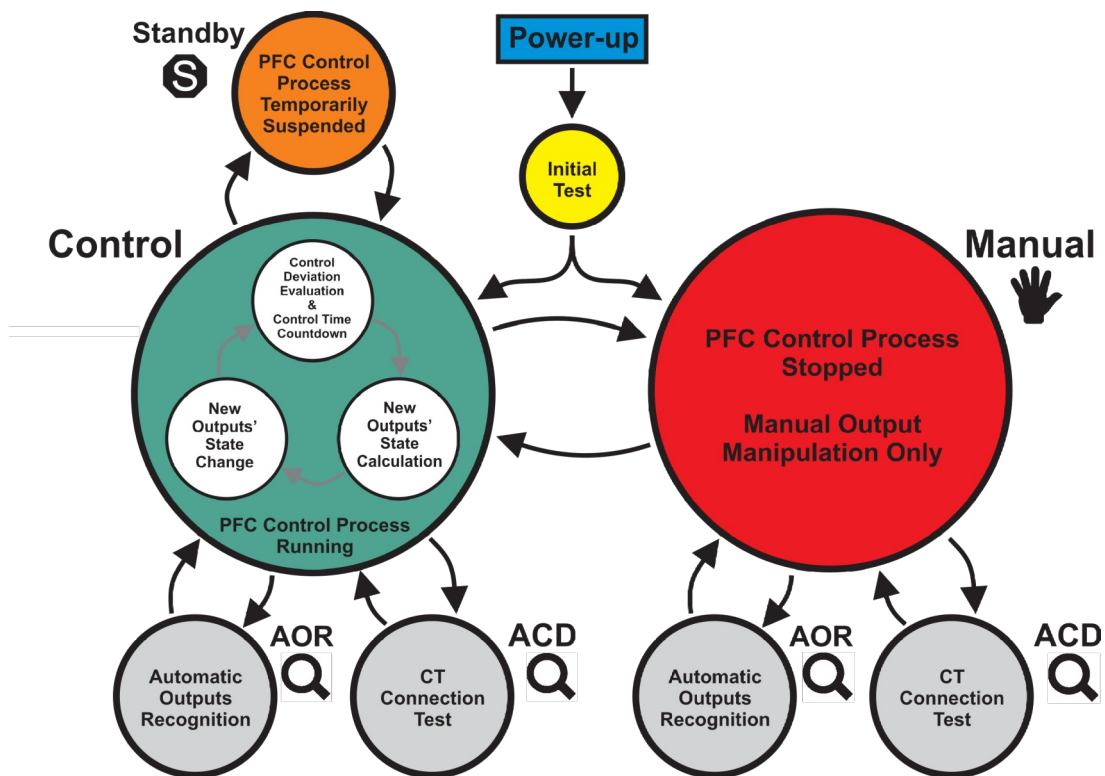
4.4 Instrument Operation

After powerup, initial test runs first. During this, the manufacturers logo is displayed momentarily.

After the test the controller returns into one of two main states corresponding to the state last state set (the last state is registered in non-volatile memory)

- **Control state** ... The instrument performs power factor control process; if, for some reason, it can not perform it, it gets into *the standby* state temporarily.
- **Manual state** ... the instrument does not perform power factor control process; manual output manipulation is allowed for testing purposes.

Fig. 4.13 : PFC Controller Main Operating States






4.4.1 Control State

In the control state, the controller carries out its standard task – the power factor control process. The process consists of three basic steps performed over and over again :

- evaluation of reactive power control deviation and, depending on its magnitude, control time countdown
- as soon as the control time expires, new combination of outputs is calculated
- then the new combination is applied to the outputs

This sequence can be temporarily suspended due to either operator manual intervention or automatically by the controller for some reason. Then the controller can get temporarily to one of following „substates“ :

- *standby state* (indicated with flashing )
- *automatic output recognition (AOR) process* (flashing )
- *automatic connection detection (ACD) process* (flashing )

4.4.1.1 Control Time Actual State

In the control state the power factor control passes discontinuously as a sequence of *control interventions*. The period between occurrence of control deviation and consecutive control intervention is called *control time*.

Its value can be checked in the line 3 of *the total three-phase value of control deviation* $\Sigma\Delta Qfh$ window. In balanced state no control time countdown occurs and the line is empty.

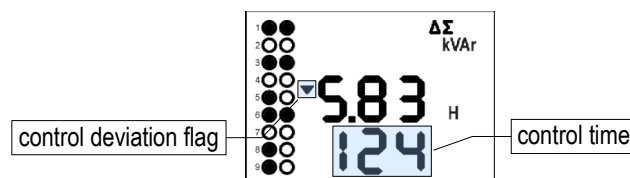
As soon as the control deviation exceeds one half of appropriate smallest output power, the control deviation flag appears, the control time counter is filled with appropriate preset control time value (depending on the deviation polarity) and starts to count down. As soon as it expires, new control intervention occurs and the control process continues again from the beginning.

If the control deviation drops down below one half of the smallest output power, the control deviation flag disappears, the control time countdown is stopped and the value stops showing . But there are two exceptions to this – if :

- either at least one control choke (or, generally, inductive character section) is switched on,
- or there is very low load in the network

the control time counts down at minimum rate even during balanced state.

Fig. 4.14 : Control Time Actual State



If a controller in the standby state the standby cause is displayed in the line instead.

4.4.2 Standby State, Standby Cause

There can be various reasons causing the controller goes to the standby state, indicated by flashing message in the line 3 of *the total three-phase value of control deviation* $\Sigma\Delta Qfh$ window :


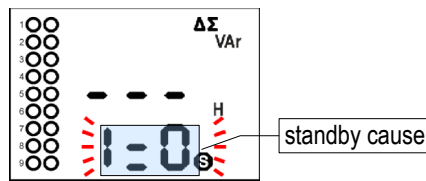
- $U = 0$ or $I = 0$: fundamental component of measuring voltage or current is below the instrument sensitivity causing that power factor cannot be evaluated
- $P = 0$: *the U1-angle parameter* is not set (for single-phase mode only)
- $C = 0$: no control section (output) available (all of the sections have zero reactive power or are set as fixed sections)
- $AL A$: control sections are forced off due to active actuation of any alarm; in such case the  alarm symbol flashes
- $dl S$: (discharge) neither of compensation capacitors is discharged yet; such case occurs usually after power-up only

Fig. 4.15 : Standby Cause



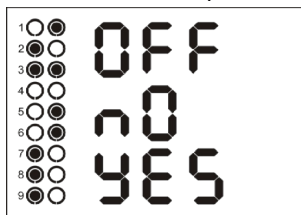
As soon as the events causing the standby state pass the message disappears, standard power factor control process resumes automatically and a control time actual state appears in the line usually.

4.4.3 Manual State

For testing purposes, especially during the first controller installation, you can switch the controller into the manual state. Push keys **P** and **M** and hold them down simultaneously for about 6 seconds.

If any of outputs are on, following question about disconnecting of outputs appears :

Fig 4.16 : Disconnection of Outputs before Manual State Entry



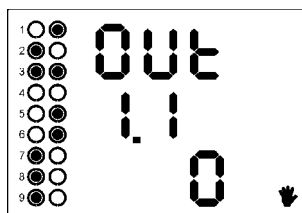
The **OFF** and the outputs that are on flash. Now, with the **▲** and **▼** buttons choose either **No** if you want to keep the output states unchanged, or **Yes** if all of the outputs to be switched off – selected option flashes. Then confirm with **P** or **M**.

Then the controller switches to the manual state which is indicated by flashing symbol .

During the manual state no power factor control takes place, state of the outputs stay unchanged. They are restored into this state even after a power failure. But the outputs can be temporarily switched off due to any alarm actuation if appropriate event occurs.

During this state, you can manipulate with the outputs manually. Press key **P** and instead the instrument parameters, the state of the output 1.1 appears :

Fig. 4.17 : Manual State Output Manipulation



In the first line there is the **OUT** message. With the keys **▲**, **▼** you can scroll through all the outputs (from 1.1 to 3.6, the output number in line 2) and check the output actual state in line 3 (0=off, 1=on).

To change an output state, edit it like the instruments' parameters. The outputs' states change while being edited, respecting the reconnection delay time specified – until it expires the output is not switched on and the corresponding output symbol flashes.



After the output testing finished, switch the controller back into the control state using the same procedure as when entering the manual state.



You can not view or edit the PFC parameters in the manual state – you can only edit the Installation parameters and close or open each of the controller's outputs.



If it not possible to switch any of outputs on, it can be caused by :

- reconnection delay time of the output has not expired yet – in such case the symbol  flashes shortly.
- the output is blocked by actuation of any of alarms – in such case the symbol  stops flashing shortly.

4.4.4 Manual Intervention in Control Process

In order to be able to check the controller's response to a control deviation change, it is possible to connect or disconnect a section by operator's manual intervention, not only in the **Manual** mode but also within the automatic control process.

While holding key **M** pressed down you can connect or disconnect a section using keys **▲** and **▼** and watch the controller's response to the change of condition. Each button press connects or disconnects one compensation section, always the one with the smallest value (exception: in the circular or linear switching mode the order of connecting/disconnecting is specified in description of parameter 35). Reconnection delay time is respected when connecting.

If the controller is left in the automatic control mode, it will carry out evaluation and control intervention after the control time has elapsed thus putting the unbalanced conditions in the power system back to a compensated state.

4.4.5 Power Factor Block Factory Setting

In some situations it may be necessary to put the controller back to its default settings with which it is shipped. You can do this using *the power factor block factory setup*. After the setup has been done, the initial test starts too, that means the controller carries out all the operations as if the power supply voltage is introduced.

Tab 4.9 : Control Parameters

Default Setup

parameter	default setup
target PF 1 / 2	cos; 0.98
control bandwidth 1 / 2	(cos) 0.010
control time – undercomp. 1 / 2	3 minutes
control time – overcomp. 1 / 2	30 seconds
offset power 1 / 2	0 kvars
tariff 2 control	off
tariff 2 control power	0 %
choke control	off
choke control limit	(cos) 1.00
offset control	off

Tab 4.10 : Output Parameters

Default Setup

parameter	default setup
output 1.1÷ 3.6 type / power / state	zero / 0 kvars / control
discharge time 1 / 2	30 seconds
output set 2	off
switching mode	intelligent
output recognizer	auto

The PFC control and PFC output parameters are set to the default according the tables. The PFC alarm parameters are set to default values according appropriate table above.

The installation parameters remain unchanged.

To do the factory setting, firstly switch to display parameters with the **P** key. Then press the **P** again, keep it pressed and simultaneously press and keep the **M**, then press and keep the key **▼** too (the order must be kept). Hold the three keys down (for about 6 seconds) until display switches to measurement values – then you can release the buttons.

Since parameter 20 is set to *Auto* and output powers not defined now, the AOR process is launched, obviously.

4.5 Method of Measurement

The measurement consists of three processes being performed continuously and simultaneously: frequency measuring, sampling of voltage and current signals and evaluation of the quantities from the sampled signals.

4.5.1 Voltage Fundamental Frequency Measurement Method

The voltage fundamental frequency is measured continuously and evaluated every 10 seconds. The voltage signal is led through a low-pass filter and then processed.

The fundamental frequency output is the ratio of the number of integral mains cycles counted during the 10 second time clock interval, divided by the cumulative duration of the integer cycles.

If value of frequency is out of measuring range, such state is indicated with flashing symbol **Hz**.

4.5.2 Voltage and Current Measurement Method

Both voltage and current signal is evaluated continuously as required by IEC 61000-4-30, ed. 2 standard. The unitary evaluation interval, a *measurement cycle*, is a ten / twelve (value behind slash is valid for $f_{\text{NOM}} = 60 \text{ Hz}$) *mains cycles* long period (i.e. 200 ms at frequency equal to preset f_{NOM}), which is used as a base for all other calculations.

The sampling of voltage and current signals is executed together with the frequency of 128 / 96 samples per mains cycle. The sampling rate is adjusted according to the frequency measured on the voltage input. If the measured frequency is in measurable range, then the value is used for subsequent signal sampling. If the measured frequency is out of this range, the preset frequency value (f_{NOM}) is used and measured values may be incorrect.

When exceeding the measuring range of voltage or current, overloaded quantity value flashes.

Effective values of voltage and current are calculated from sampled signals over the measurement cycle using formulas :

$$\text{Phase voltage (effective value) : } U_{1} = \sqrt{\frac{1}{n} \sum_{i=1}^n U_{1i}^2}$$

$$\text{Line voltage (effective value) : } U_{12} = \sqrt{\frac{1}{n} \sum_{i=1}^n (U_{1i} - U_{2i})^2}$$

$$\text{Current (effective value) : } I_{1} = \sqrt{\frac{1}{n} \sum_{i=1}^n I_{1i}^2}$$

where : i sample index

n number of samples per measurement cycle (1280 / 1152)
 U_{i1}, I_{i1} ... sampled values of voltage and current

The data for the longer measurements are aggregated from these measurement cycles.

4.5.3 Harmonics and THD Evaluation Method

Entire spectrum of harmonic components and THD is evaluated periodically from 10 / 12 mains cycles long signal according to IEC 61000-4-7 ed.2 as harmonic sub-groups (H_{sg}).

Following quantities are evaluated :

Harmonic components of voltage and current up to 50th order : U_{ih1}, I_{ih1}
 (i order of harmonic component)

Absolute angle of voltage harmonic component phasor : $\varphi_{U_{ih1}}$

Current harmonic component phasor angle relative to phasor U_{fh1} : $\varphi_{I_{ih1}}$

Relative angle between correspondent voltage and current phasors : $\Delta\varphi_{i1}$

Total harmonic distortion of voltage :
$$THD_{U1} = \frac{1}{U_{1h1}} \sqrt{\sum_{i=2}^{40} U_{ih1}^2} * 100\%$$

Total harmonic distortion of current :
$$THD_{I1} = \frac{1}{I_{1h1}} \sqrt{\sum_{i=2}^{40} I_{ih1}^2} * 100\%$$

4.5.4 Power and Power Factor and Evaluation Method

Power and power factor values are calculated continuously from the sampled signals according to formulas mentioned below. The formulas apply to basic type of connection – 1Y3.

Active power :
$$P_1 = \sum_{k=1}^{40} U_{k,1} * I_{k,1} * \cos\Delta\varphi_{k,1}$$

Reactive power :
$$Q_1 = \sum_{k=1}^{40} U_{k,1} * I_{k,1} * \sin\Delta\varphi_{k,1}$$

where : k ... harmonic order index, odd components only

$U_{k,1}, I_{k,1}$... the kth harmonic components of voltage and current (of phase 1)

$\Delta\varphi_{k,1}$... angle between the kth harmonic components $U_{k,1}, I_{k,1}$ (of phase 1)

(these harmonic components of U and I are evaluated from each measurement cycle)

Apparent power :
$$S_1 = U_1 * I_1$$

Power factor :
$$PF_1 = \frac{|P_1|}{S_1}$$

Three-phase active power :
$$\sum P = P_1 * 3$$

Three-phase reactive power :
$$\sum Q = Q_1 * 3$$

Three-phase apparent power :
$$\sum S = S_1 * 3$$

Three-phase power factor :

$$\sum PF = \frac{|\sum P|}{\sum S}$$

Fundamental harmonic component quantities :

Fundamental harmonic power factor : $\cos \Delta\varphi_1$ (or $\tan \Delta\varphi_1$, $\Delta\varphi_1$, optionally)

Fundamental harmonic active power : $P_{fh_1} = U_{fh_1} * I_{fh_1} * \cos\Delta\varphi_1$

Fundamental harmonic reactive power : $Q_{fh_1} = U_{fh_1} * I_{fh_1} * \sin\Delta\varphi_1$

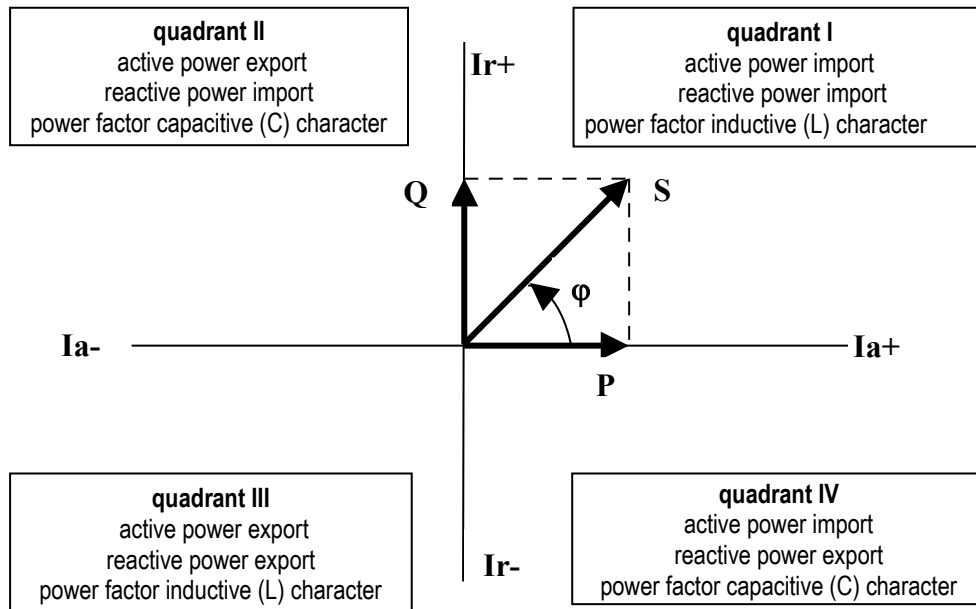
Fundamental harmonic three-phase active power : $\sum P_{fh} = P_{fh_1} * 3$

Fundamental harmonic three-phase reactive power : $\sum Q_{fh} = Q_{fh_1} * 3$

Fundamental harmonic three-phase power factor : $\sum \cos\Delta\varphi = \cos(\arctg(\frac{\sum Q_{fh}}{\sum P_{fh}}))$

Powers and power factors of the fundamental harmonic component ($\cos \varphi$) are evaluated in 4 quadrants in compliance with the standard IEC 62053 – 23, appendix C, see figure below.

Identification of consumption- supply and the character of reactive power according to phase difference



For outright specification of the quadrant, the power factor of the fundamental harmonic component – **cos φ** – is expressed according to the graph with two attributes :

- a *sign* (+ or -), which indicates polarity of active power
- a *character* (⚡ or ⚡), which indicates the power factor character (the polarity of reactive power relative to the active power)

All of angle values are expressed in degrees in range [-180.0 ÷ +179.9].

4.5.5 Temperature

The temperature is measured with built in sensor and updated each approx. 10 seconds.

4.6 Measured Values Evaluation and Aggregation

As described above, measured values are evaluated according to IEC 61000-4-30 ed.2, based on continuous (gap-less), 10 / 12 mains cycles long intervals (measurement cycle) processing.

Further aggregation of the actual values from this evaluation is used to obtain values for displaying and recording.

4.6.1 Actual Values Evaluation and Aggregation

Actual (instantaneous) values of measured quantities, that can be viewed on instrument's display, are evaluated each *display refresh cycle* as average of integral number of measurement cycle values. The display refresh cycle is preset to 3 measurement cycles , corresponding approx. to 0.6 sec display refresh cycle duration.

Exceptions :

- frequency – the value is refreshed each frequency measurement cycle (see above)
- voltage and current harmonic components – the last measurement cycle values are displayed (no averaging). Only odd harmonic components to 25th order are displayed. Higher components are available via communication link only.
- temperature – the value is refreshed each temperature measurement cycle (see above)

Actual values, read from an instrument via a communication link for monitoring purposes are evaluated from one – the last – measurement cycle only.

4.6.2 Average Values Evaluation

From measurement cycle values, average values of all basic quantities are calculated. The averaging period in range from 1 second to 1 hour can be used.

When *the floating window* averaging method is applied, an exponential function simulation is used to get the thermal dependence. Unit step time response depends on the preset averaging period – during this period, an average value reaches about 90 % of unit step amplitude.

The averaging period can be set in parameter group No. 77 independently for two groups of quantities : so called **UI** -group and **P/Q/S** -group. Following table lists processed quantities of both groups.

Average Values Groups

Average values group	Averaged quantities
“ U / I ”	U _{LL} , U _{LN} , I, f, T
“ P / Q / S ”	P, Q, S, PF, Pfh, Qfh, cosφ



*Preset averaging parameters noted above are valid for so called standard average values. For the maximum power demand **ΣMD** in the Electricity Meter group, separate parameter is used (see below).*

4.6.3 Embedded Electricity Meter

For electric energy measurement, stand-alone unit – *electricity meter* - is implemented inside instruments. Energies are evaluated in compliance of the IEC 62053-24 standard : active energy from full harmonic spectrum and reactive energy from the fundamental harmonic component only.

Except of electric energy, maximum active power demand ΣMD is registered in the unit.

4.6.3.1 Electric Energy Processing

Measured values of both active and reactive electrical energies are recorded separately in four quadrants. Following energy counters can be displayed :

- active energy consumed (**EP+**, import), active energy supplied (**EP-**, export)
- reactive energy :
 - either*
 - reactive energy consumed (**EQL**, inductive), reactive energy supplied (**EQC**, capacitive)
 - or*
 - reactive energy registered at the three-phase active energy being consumed (imported) : inductive (**EQL+**) and capacitive (**EQC+**) energy
 - reactive energy registered at the three-phase active energy being supplied (exported) : inductive (**EQL-**) and capacitive (**EQC-**) energy

Desired presentation format can be set with parameter 78.

Internal energy counters have sufficient capacity in order not to overflow during the whole instrument lifetime. On the instrument's display only 9 digits can be viewed – therefore, after energy value exceeds 99999999.9 kWh/kvarh, instrument's display format automatically switches to MWh/Mvarh, then to Gwh/Gvarh.

4.6.3.2 Maximum Demand Registration

From the instantaneous measured value of active power the instrument evaluates its average value per preset period using preset averaging method. In the electricity meter unit, such quantity is called *actual demand* (ΣAD). Note that the actual demand is processed individually and its averaging period is presettable independently on standard average values (ΣP_{AVG}).

Its maximum value reached since the last clearing is called *maximum demand* (ΣMD).

The ΣAD value is not displayed on the instrument display – only their registered three-phase maximum ΣMD is.

The maximum can be cleared independently of standard average maximums/minimums.

4.7 Special PFC-Block Related Quantities' Meaning & Method of Evaluation

General quantities' meaning and evaluation formulas can be found in the previous chapter. For the PFC-block operation, some additional special quantities are necessary. Description of the quantities follows.

4.7.1 Values Used for Power Factor Control Evaluation and Aggregation

Powers P_{fh} and Q_{fh} are basic quantities used for power factor control. Values of the quantities are evaluated each measurement cycle. Then they are internally **averaged with floating 5 seconds long**

window for usage in power factor control with contactor-type outputs. Such power values are not displayed, but essential quantity for power factor control – PF control deviation ΔQfh – is evaluated from them. In the same way, compensation reserves RC and RL are evaluated.

Therefore, the control deviation and the power factor control intentionally do not react on short power factor deflections that cannot be compensated with contactor-type outputs.

4.7.2 $\Sigma \Delta Qfh$ – PF Control Deviation

This is crucial quantity for the PF control process. Its value indicates surplus reactive power (of fundamental harmonic component) in the network that must be compensated to reach preset target power factor. If the value is positive (inductive character) the controller connects compensation capacitors of appropriate power to the network; if negative (capacitive character), the controller tries to add compensation chokes.

Target fundamental harmonic component reactive power of phase L1:

$$Qfh_{T1} = Pfh_1 * tg\varphi_T$$

where :

Pfh_1 ... phase L1 fundamental harmonic active power

φ_T ... preset target angle between fundamental voltage and current phasors

When target power factor is specified in the $\cos\varphi$ format it can be declared :

Target angle (between fundamental U & I phasors) : $\varphi_T = \arcsin(\cos\varphi_T)$

Then, target fundamental harmonic component reactive power (of phase L1) is :

$$Qfh_{T1} = Pfh_1 * tg(\arcsin(\cos\varphi_T))$$

Finally, the control deviation of phase L1 :

$$\Delta Qfh_1 = Qfh_1 - Qfh_{T1}$$

where :

Qfh_1 ... phase L1 fundamental harmonic reactive power

Total three-phase control deviation :

$$\Sigma \Delta Qfh = \Delta Qfh_1 + \Delta Qfh_2 + \Delta Qfh_3$$

4.7.3 CHL – Capacitor Harmonic Load Factor

This quantity was designed and implemented in order compensation capacitors protection against current overload to be possible simply. If appropriate alarm actuation is set the controller disconnects the sections from a network as soon as the CHL-factor exceeds preset limit value.

Compensation capacitors' service life depends on not exceeding of operation limits. One of the limits is capacitors's maximum current. This may be exceeded with voltage harmonic distortion due to a capacitor's inductance being a function of the frequency.

If voltage is not distorted (sinus), the capacitor current is

$$I_c = \frac{U}{Z_c} = \frac{U}{\frac{1}{2\pi f C}} = 2\pi f C U \quad [A]$$

where :

I_c ... capacitor current [A]

U... capacitor voltage	[V]
Zc... capacitor impedance	[Ω]
f... frequency	[Hz]
C... capacitor capacity	[F]

If the voltage is distorted, the current flowing through a capacitor forms as the sum of current harmonic component vectors

$$I_C = \sum_{i=1}^n I_i \quad [A]$$

and magnitude of each harmonic component is pursuant to the first formula

$$I_i = 2\pi f_i C U_i = 2\pi (f_f * i) C U_i \quad [A]$$

where :

i.... order of harmonic	[-]
I _i current of i th harmonic component	[A]
U _i ... voltage of i th harmonic component	[V]
f _i frequency of i th harmonic component	[Hz]
f _f fundamental harmonic frequency	[Hz]

According to the formula, the magnitude of current of each harmonic component is proportional to a multiple of voltage and its order (U_i x i) of harmonic. Consequently, the total harmonic distortion, which is defined as

$$THD_U = \frac{1}{U_1} \sqrt{\sum_{i=2}^N U_i^2} * 100 \quad [\%]$$

where:

THD _U ... voltage total harmonic distortion	[%]
U _i voltage of i th harmonic component	[V]
U ₁ voltage of fundamental harmonic component	[V]

is not suitable as a criterion of capacitor current overload due to harmonic distortion, because it does not respect distribution of harmonic components across their spectrum.

Therefore, *the capacitor harmonic load factor* is defined as follows

$$CHL = \frac{1}{U_{NOM}} \sqrt{\sum_{i=1}^N i * U_i^2} * 100 \quad [\%]$$

where :

CHL... capacitor harmonic load factor	[%]
i..... order of harmonic	[-]
U _i voltage of i th harmonic component	[V]
U _{NOM} ... nominal voltage	[V]

This factor value does respect, besides respecting each harmonic component's voltage value, distribution of harmonic components of different orders across their spectrum and it addresses the effect of voltage values. It is thus a more convenient value to determine total load of a capacitor by current. If the nominal value voltage is undistorted, this factor is at value of 100%. The following table shows CHL factor values for a few selected scenarios of harmonic distribution at fundamental harmonic component nominal value.

Tab. 4.9: Examples of CHL factor values for selected distributions of voltage harmonic components ($U_i=U_{NOM}$)

No.	voltage harmonic component levels [%]									CHL [%]
	3 rd	5 th	7 th	9 th	11 th	13 th	15 th	17 th	19 th	
1	2.5	3.5	2.5	1.0	2.0	1.5	0.8	1.0	0.5	110
2	3.5	4.5	3.5	1.2	2.5	2.0	1.0	1.5	1.0	118
3	5.0	6.0	5.0	1.5	3.5	3.0	0.5	2.0	1.5	133
4	5.5	6.5	5.5	2.0	4.0	4.0	1.8	2.3	1.8	146
5	8.0	9.0	8.0	6.0	7.0	7.0	2.3	4.0	3.5	208

Example 3 (CHL = 133%) corresponds to voltage harmonic distortion limits as specified in EN 50160.

4.7.4 RC, RL – Compensation Reserve Powers to Reach Target Power Factor

With the compensation reserve powers RC and RL you can check if installed compensation power, i.e. total reactive power sum of all installed compensation capacitors and chokes is sufficient to keep preset target factor or not.

The reserves are defined as follows :

$$\text{Capacitive reserve power of phase L1 : } RC_1 = \sum Q_{COFF1} - \sum Q_{LON1} - \Delta Qfh_1$$

$$\text{Inductive reserve power of phase L1 : } RL_1 = \sum Q_{CON1} - \sum Q_{LOFF1} + \Delta Qfh_1$$

where :

$\sum Q_{COFF1}$ sum of L1-phase capacitive-type reactive power components of the control*) outputs being just switched off (capacitive reactive power of an output considered as positive)

$\sum Q_{CON1}$ sum of L1-phase capacitive-type reactive power components of the control*) outputs being just switched on

$\sum Q_{LON1}$ sum of L1-phase inductive-type reactive power components of the control*) outputs being just switched on (inductive reactive power of an output considered as negative)

$\sum Q_{LOFF1}$ sum of L1-phase inductive-type reactive power components of the control*) outputs being just switched off

ΔQfh_1 control deviation reactive power of L1-phase



*) The outputs that have non-zero reactive power and that are not set as fixed outputs are considered as the control outputs (including the outputs that are temporary disabled due to OE-alarm actuation).

Then, three-phase reserves are :



$$\text{Capacitive three-phase reserve reactive power : } \sum RC = RC_1 + RC_2 + RC_3$$

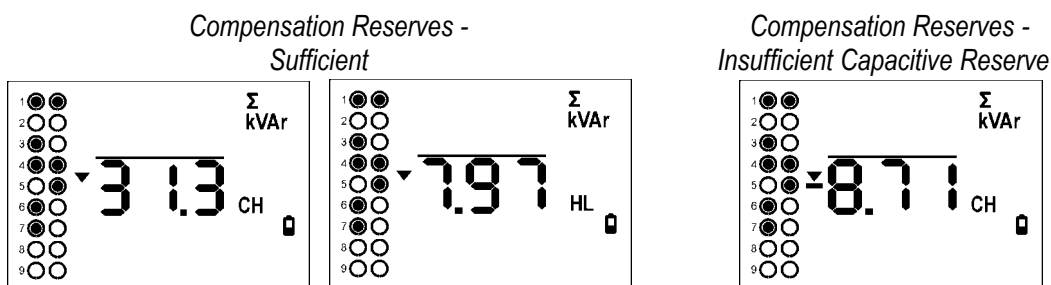
$$\text{Inductive three-phase reserve reactive power : } \sum RL = RL_1 + RL_2 + RL_3$$

If any reserve is positive that means that there are still one or more outputs that can be switched on or off to reach target power factor in the network.

On the contrary, negative reserve means that actual control deviation cannot be compensated; the negative RC/RL value contains size of missing capacitive/inductive compensation power. That means in such case the compensation system is undersized and other capacitors/chokes should be installed.

When checking a compensation system capacity usually at least one week long period is observed. You can use registered maximum and minimum of the reserve average values for this :

1. Check all of the compensation outputs' values and target power factor to be set properly.
2. Check and, if necessary, set suitable average method and evaluation period of the P/Q/S-group (to which the RC/RL reserves belong ; see average values setup).
3. In the actual values scroll to the ΣQ value (symbols ΣVAr , see the navigation map), then navigate to the fundamental harmonic branch with the **M** key to the ΣQ_{fh} value (until the **H** symbol appears). Now, with the **▼** key switch to the control deviation $\Sigma \Delta Q_{fh}$ value (symbols $\Delta \Sigma VAr$) and in this row navigate further right with the **M** key to the compensation reserve powers ΣRC (symbols $\Sigma VAr C H$ ) or ΣRL (symbols $\Sigma VAr H L$ .
4. Now, with the **M** key switch to avgmax or avgmin value of any of these values and clear up registered maximum&minimum power values : press the **M** key and keep pressed until the value starts flashing, then change it with an arrow key to the **⌊ L ⌋** and confirm with the **M** key again. Because of just cleared, undefined value - - - appears.
5. Now let the controller running for reporting period (usually at least one week). After that, check new registered maximum and minimum average values of reserve powers.



For compensation reactive power capacity assessment, *registered minimum values* of both reserves are decisive. On the left example above, registered minimum of three-phase capacitive reserve is 31.3 kvars, minimum of inductive reserve is 7.97 kvars. As both of them are positive the system compensation power is sufficient.

If any of reserve minimum values is negative as example on the right example shows, reactive power of magnitude that the controller could not compensate appeared sometimes in the network during the testing period. As *the ΣRC minimum average value is negative*, the capacity of compensation capacitors is not sufficient ; 8.71 kvars of capacitors missed. Similarly, as *the ΣRL minimum average value is positive*, no additional compensation chokes are necessary.



You can use the compensation reserves not only for checking the capacity of existing compensation system, but for any new compensation system dimensioning too : Install single instrument (without any of compensation sections connected) at the network where new compensation system to be projected . Then perform the reserve check as described above; set target power factor only but let all of the compensation outputs set as zero outputs and switch the controller into the manual state. After observed period, according registered negative minimums of the RC / RL reserves you can size the compensation system capacity.

5. Computer Controlled Operation

Monitoring the currently measured values and the instrument setup can be done using a remote computer connected to the instrument via a communication link. Such operation allows you to use all the setup options of the instrument, which it is not possible from the panel of the instrument.

Following chapters describe instrument communication links from the hardware point of view only and the webserver function. The detailed description of ENVIS program can be found in the program manual.

5.1 Communication Interface

5.1.1 Service USB Interface

All of models are equipped with service USB 2.0 interface on the rear panel. You can use this interface for the instrument setup and actual state checking with a portable PC, especially during commissioning. For this, appropriate communication cable (USB-A type) is necessary.

The interface is not isolated from instrument internal circuitry and it would not be used for permanent monitoring – for such purposes use RS-485 or Ethernet interface.

5.1.2 RS-485 Interface (COM)

The link is isolated from other circuits of the instrument. Use terminals **A+** (No. 41), **B-** (42) and **G** (43).

5.1.2.1 Communication Cable

For common applications (cable length up to 100 metres, communication rate up to 9,600 Bd) the selection of the right cable is not crucial. It is practically possible to use any shielded cable with two pairs of wires and to connect the shielding with the Protective Earth wire in a single point.

With cable lengths over 100 metres or with communication rates over 20 kilobits per second, it is convenient to use a special shielded communication cable with twisted pairs and a defined wave impedance (usually about 100 Ohm). Use one pair for the **A+** and **B-** signals and the second pair for the **G** signal.

5.1.2.2 Terminating Resistors

The RS-485 interface requires impedance termination of the final nodes by installation of terminating resistors, especially at high communication rates and long distances. Terminating resistors are only installed on the final points of the link (for example one on the PC and another on the remotest instrument). They are connected between terminals **A+** and **B-**. Typical value of the terminating resistor is 120 Ohm.

5.1.3 Ethernet Interface (ETH)

Using this interface the instruments can be connected directly to the local computer network (LAN). Instruments with this interface are equipped with a corresponding connector RJ-45 with eight signals (in accordance with ISO 8877), a physical layer corresponds to 100 BASE-T.

Type and maximum length of the required cable must respond to IEEE 802.3.

Each instrument must have a different IP- address, preset during the installation. The address can be set from the instrument panel or you can use the ENVIS-DAQ program. For detection of actual IP- address you can use *the Locator* function.

Furthermore, you can set the DHCP function for dynamic IP-address allocation.

5.2 Communication Protocols

The remote communication link parameters must be set in the P.85 parameter group.

5.2.1 KMB Communications Protocol

This manufacturer proprietary protocol is used for communication with the ENVIS-DAQ or the ENVIS-Online program. Number of data bits (P. 85) must be set to 8.

5.2.2 Modbus Communications Protocol

For the chance of easier integration of the instrument to the user's program, the instrument is also equipped with the Modbus-RTU / Modbus-TCP communications protocol. A detailed description of the communications records can be found in an appropriate manual.

5.3 Embedded Webserver

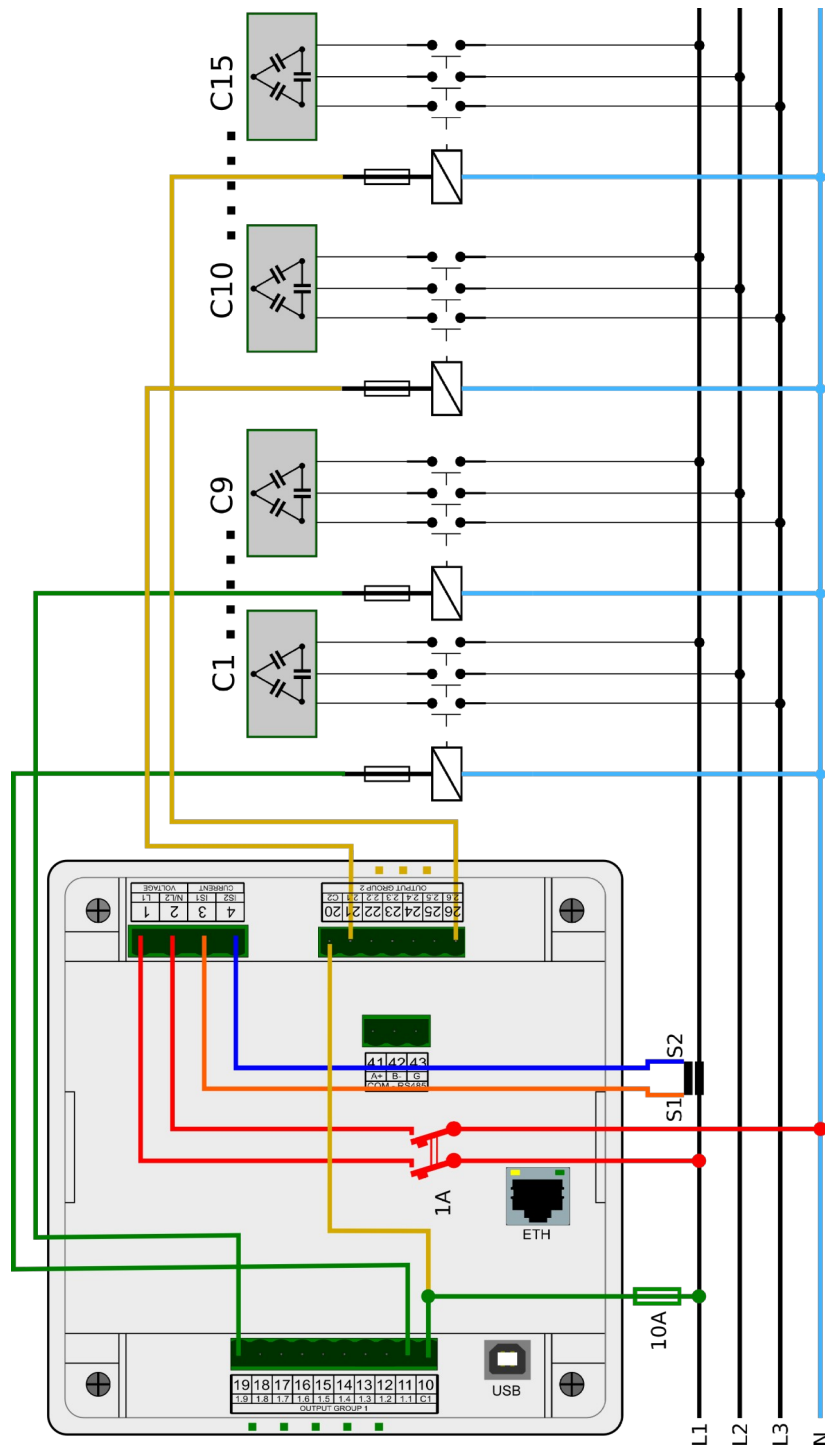
All of instruments with Ethernet remote communication interface are equipped with an embedded webserver, thus both all of main measured values and the instrument setting can be viewed with a standard web browser. It requires to set properly the instrument remote communication parameters and to connect it to the network. Then in the web browser enter appropriate IP-address of the instrument and information from the instrument appears as shown on the figure below.

Fig. 5.1 : Webserver

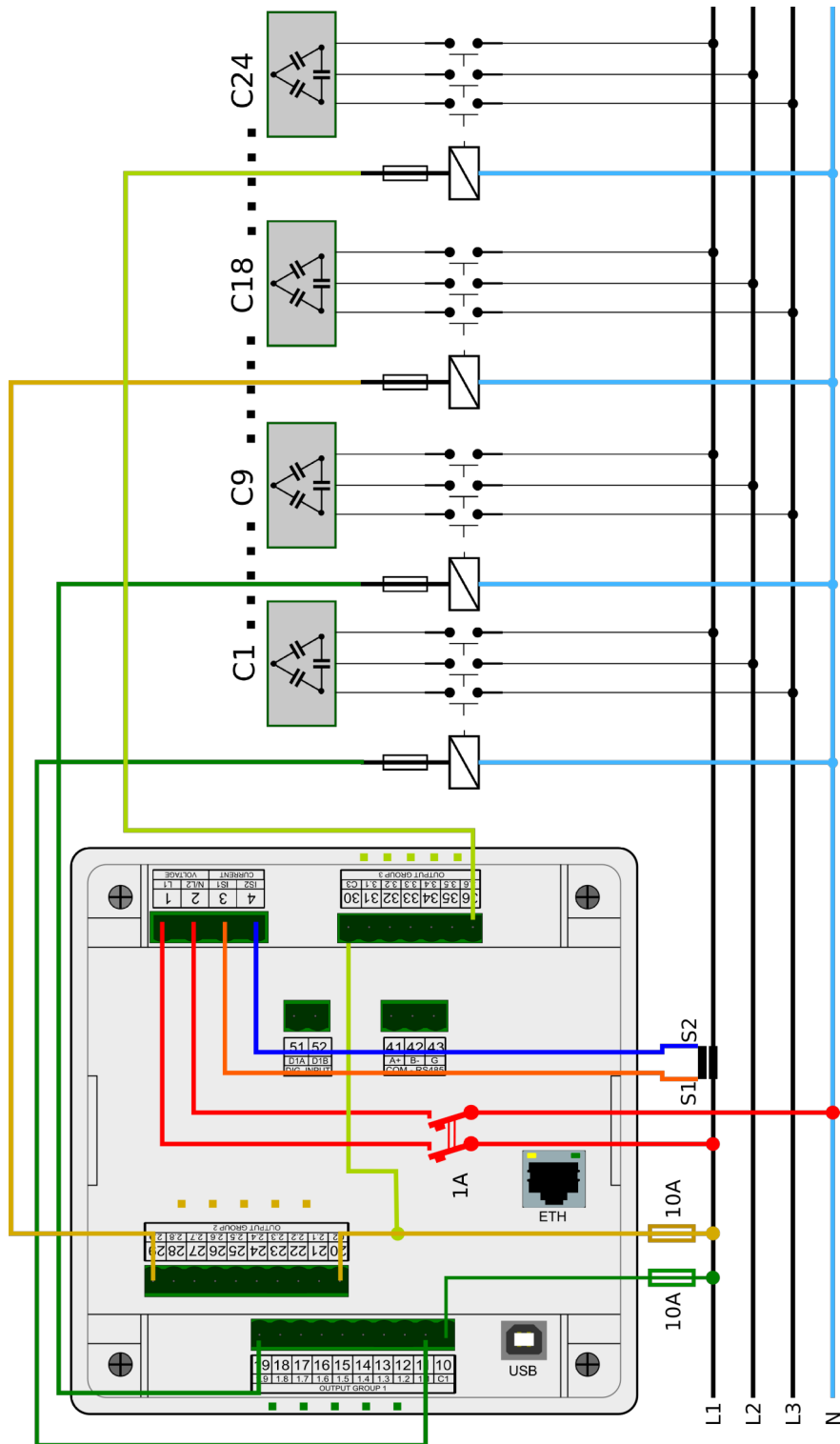


6. Examples of Connections

NOVAR 2100 R15 Typical Installation Direct Connection "1Y3" 15 Contactor Sections



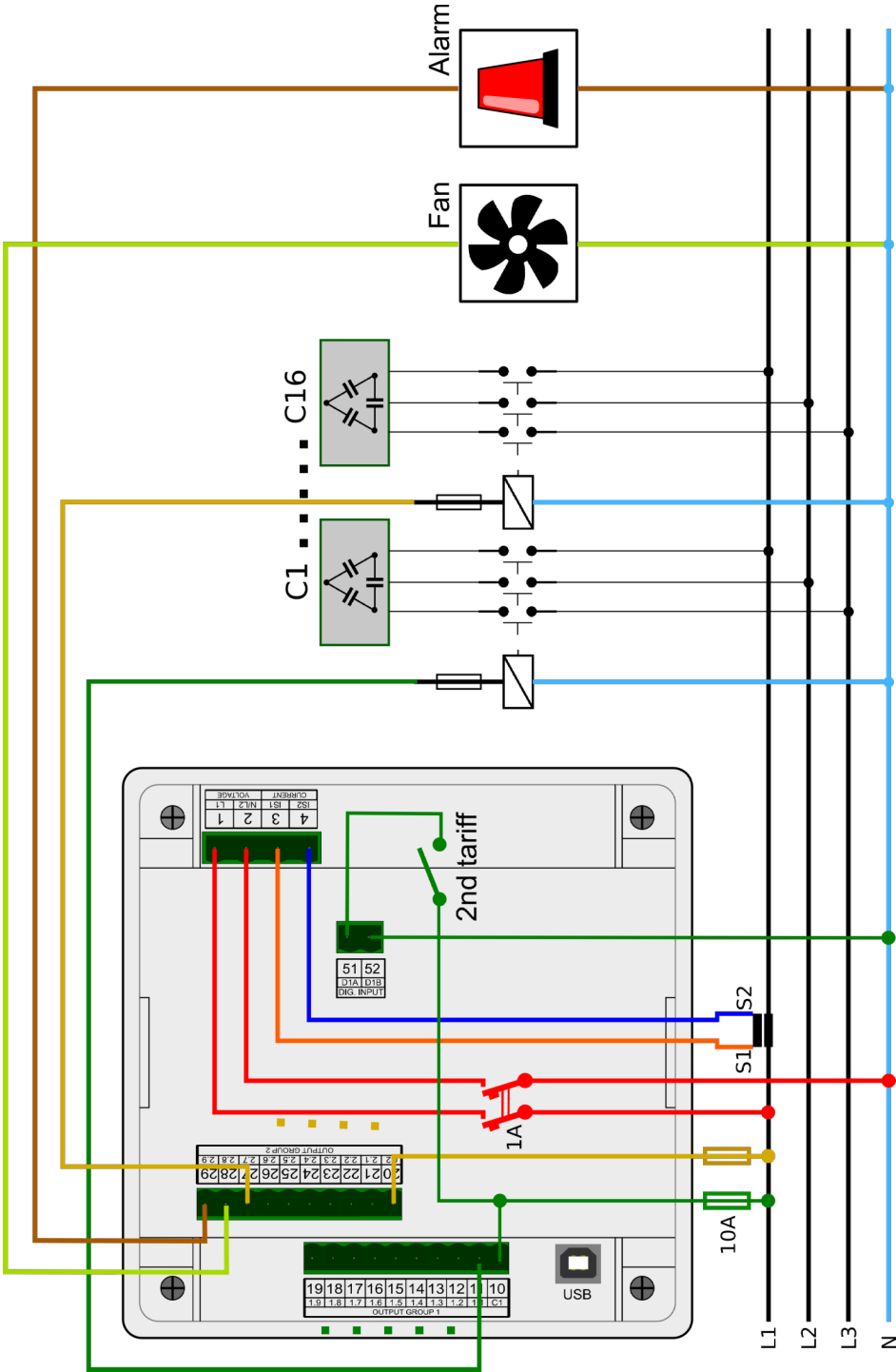
NOVAR 2100 R24 Typical Installation Direct Connection "1Y3" 24 Contactor Sections



NOVAR 2100 R18 Installation Example

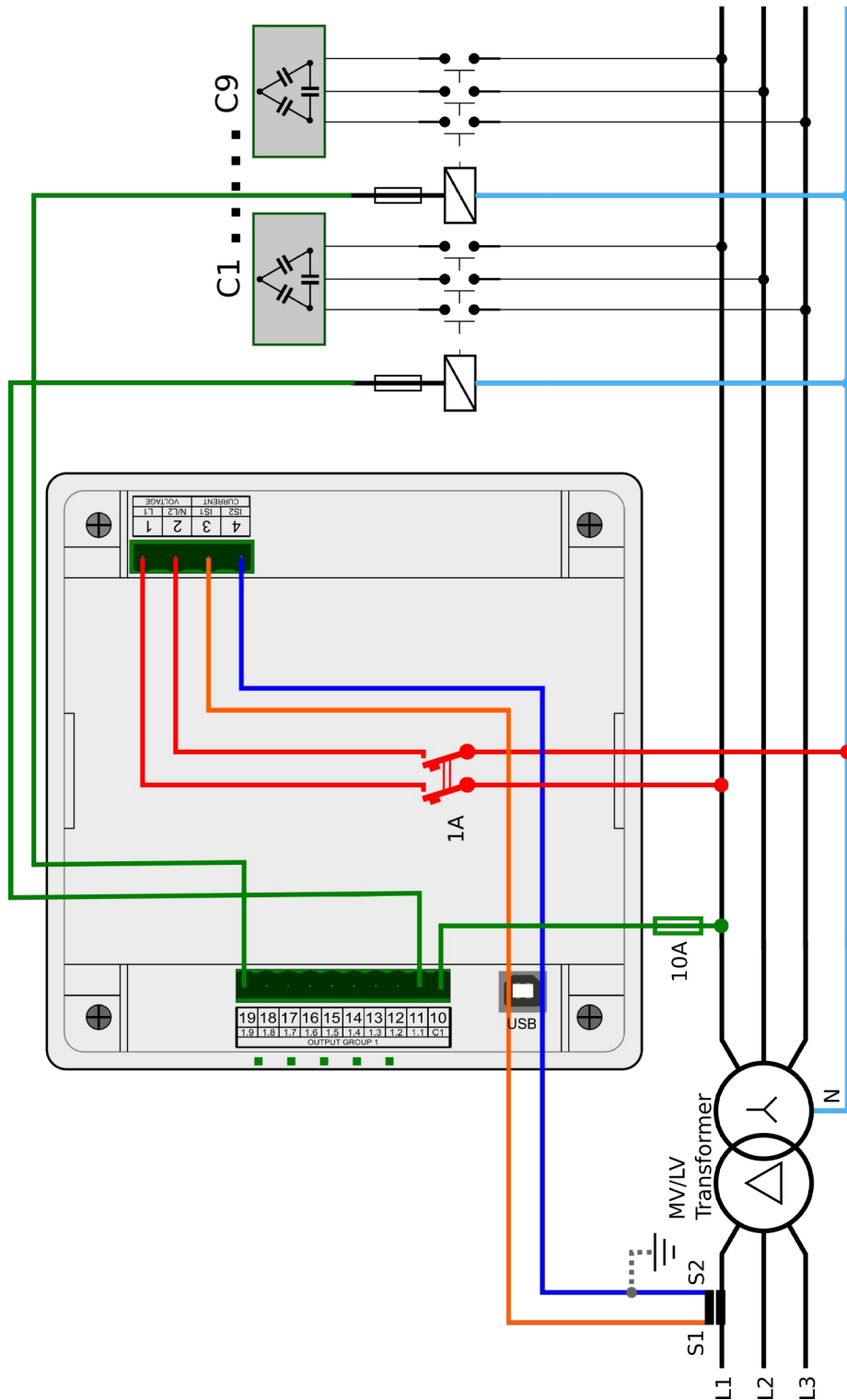
Direct Connection "1Y3", 16 Contactor Sections

2nd Tariff Control, Fan, Alarm



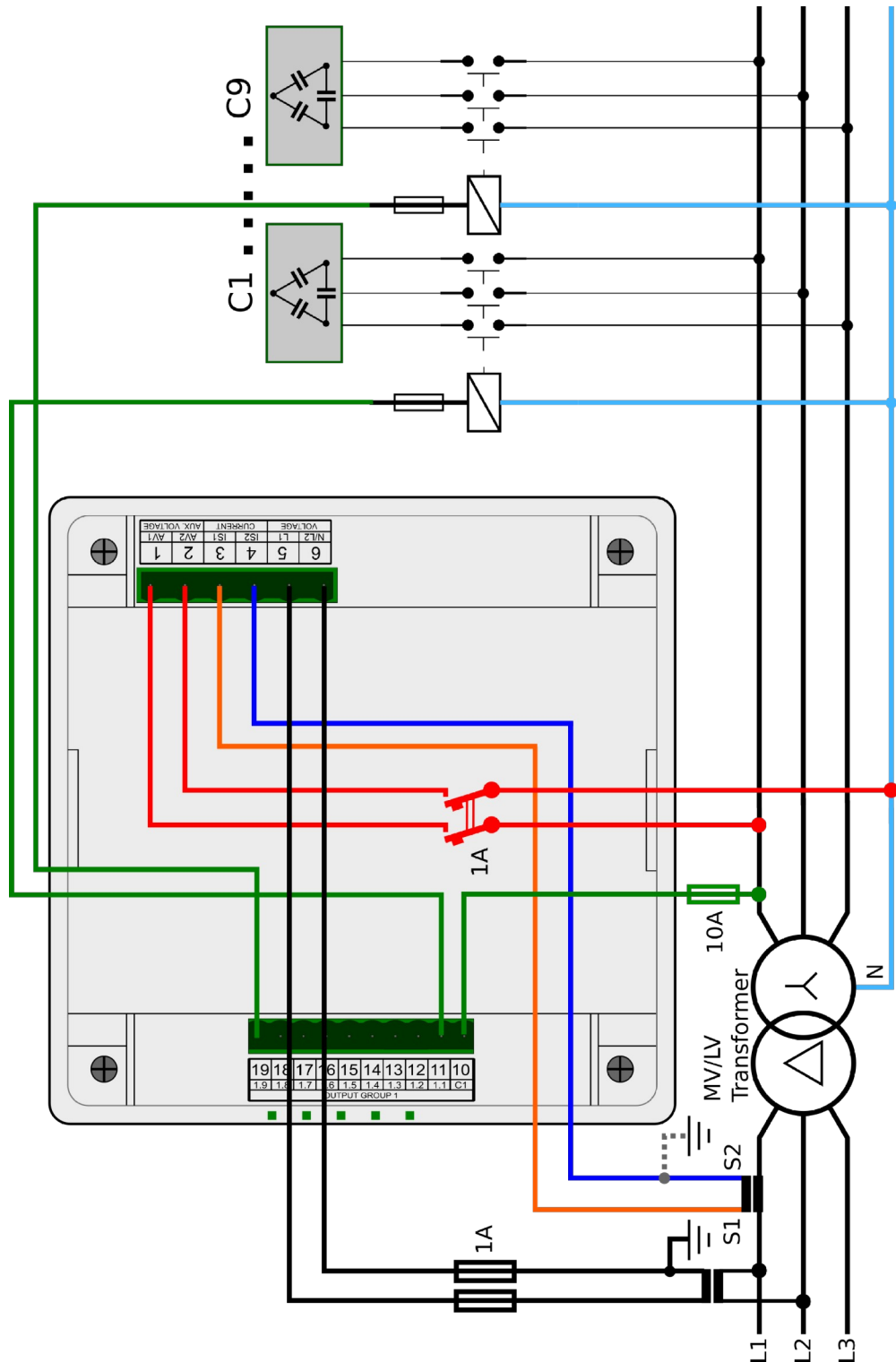
NOVAR 2100 R09 Installation Example

Connection of Current on the Transformer Primary Side ("1D3"), 9 Contactor Sections



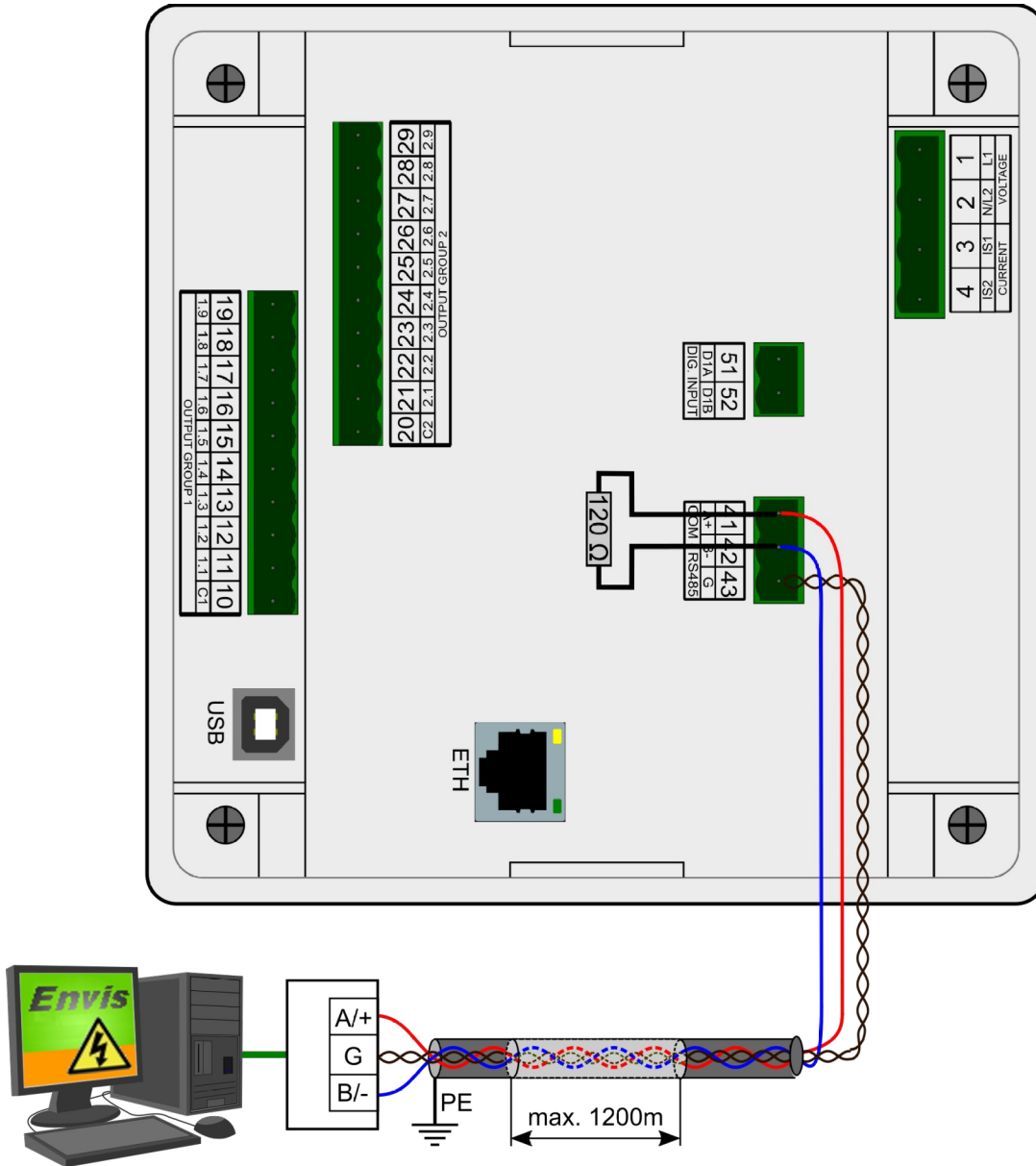
NOVAR 2200 R09 Installation Example

Connection of Voltage & Current on the Transformer Primary Side ("1D3"), 9 Contactor Sections



NOVAR 2400 R18 4

RS485 Remote Communication Connection



7. Manufactured Models and Marking

	NOVAR 2100	R18	E
Instrument class			
NOVAR 2100 = Automatic PFC, 1U, 1I, USB, 144x144			
NOVAR 2200 = Automatic PFC, 1U, 1I, separate power supply, USB, 144x144			
Outputs			
R09 = 9 relay outputs			
R15 = 15 relay outputs			
R18 = 18 relay outputs, 1 digital input			
Remote communication interface			
N = service USB, without remote communication			
4 = service USB, RS-485			
E = service USB, Ethernet			

8. Technical Specifications

Auxiliary Voltage		
	NOVAR 2100	NOVAR 2200
nominal aux. voltage range	100 ÷ 415 V _{AC} / 40 ÷ 100 Hz	100 ÷ 415 V _{AC} / 40 ÷ 100 Hz or 100 ÷ 500 V _{DC} , polarity free
aux. voltage range	75 ÷ 500 V _{AC} / 40 ÷ 100 Hz	75 ÷ 500 V _{AC} / 40 ÷ 100 Hz or 90 ÷ 600 V _{DC} , polarity free
power	20 VA / 8 W	
overvoltage category for voltage up to 300V _{AC} for voltage over 300V _{AC}	III II	
pollution degree	2	
connection	isolated, polarity free	

Measured Quantities		
Frequency		
f _{NOM} – nominal frequency	50 / 60 Hz	
measuring range	40 ÷ 70 Hz	
measuring uncertainty	± 10 mHz	
Voltage		
	NOVAR 2100	NOVAR 2200
measuring range	the same as auxiliary voltage	50 ÷ 800 V _{AC}
measuring uncertainty (t _A =23±2°C)	+/- 0.05 % of rdg +/- 0.02 % of rng	
temperature drift	+/- 0.03 % of rdg +/- 0.01 % of rng / 10 °C	
measurement category	300V CAT III 600V CAT II	
permanent overload	550 V _{AC}	1600 V _{AC}
peak overload (U _{L-N} / 1 sec.)	-	3000 V _{AC}
burden power, impedance	-	< 0.05 VA R _i = 6 MΩ
Harmonics & Interharmonics (up to 50 th order)		
reference conditions	other harmonics up to 200 % of class 3 acc. to IEC 61000–2-4 ed.2	
measuring range	10 ÷ 100 % of class 3 acc. to IEC 61000–2-4 ed.2	
measuring uncertainty	twice the levels of class II acc. to IEC 61000–4-7 ed.2	
THDU		
measuring range	0 ÷ 20 %	
measuring uncertainty	± 0.5	

Measured Quantities	
Current	
measuring range	0.005 ÷ 7 AAC
meas. uncertainty ($t_A=23\pm 2^\circ\text{C}$)	+/- 0.05 % of rdg +/- 0.02 % of rng
temperature drift	+/- 0.03 % of rdg +/- 0.01 % of rng / 10 °C
measurement category	150V CAT III
permanent overload	7.5 AAC
peak overload - for 1 second, max. repetition frequency > 5 minutes	70 AAC
burden power (impedance)	< 0.5 VA ($R_i < 10 \text{ m}\Omega$)
Harmonics & Interharmonics (up to 50th order)	
reference conditions	other harm. up to 1000 % of class 3 acc. to IEC 61000–2-4 ed.2
measuring range	500 % of class 3 acc. to IEC 61000–2-4 ed.2
measuring uncertainty	$I_h \leq 10\% I_{NOM} : \pm 1\% I_{NOM}$ $I_h > 10\% I_{NOM} : \pm 1\% \text{ of rdg}$
THDI	
measuring range	0 ÷ 200 %
measuring uncertainty	THDI $\leq 100\% : \pm 0.6$ THDI $> 100\% : \pm 0.6\% \text{ of rdg}$

Measured Quantities - Temperature	
T₁ - (internal sensor, measured value affected by the instrument power dissipation)	
measuring range	- 40 ÷ 80°C
measurement uncertainty	± 2 °C

Measured Quantities – Power, Power Factor, Energy	
Active / Reactive Power, Power Factor (PF), $\cos \varphi$ ($P_{NOM} = U_{NOM} \times I_{NOM}$)	
reference conditions "A" : ambient temperature (t_A) U, I for active power, PF, $\cos \varphi$ for reactive power	23 ± 2 °C U = 80 ÷ 120 % U_{NOM} , I = 1 ÷ 120 % I_{NOM} PF = 1.00 PF = 0.00
act. / react. power uncertainty	± 0.5 % of rdg ± 0.005 % P_{NOM}
PF & $\cos \varphi$ uncertainty	± 0.005
reference conditions "B" : ambient temperature (t_A) U, I for active power, PF, $\cos \varphi$ for reactive powe	23 ± 2 °C U = 80 ÷ 120 % U_{NOM} , I = 1 ÷ 120 % I_{NOM} PF ≤ 0.87 PF ≤ 0.87
act. / react. power uncertainty	± 1 % of rdg ± 0.01 % P_{NOM}
PF & $\cos \varphi$ uncertainty	± 0.005
temperature drift of powers	+/- 0.05 % of rdg +/- 0.02 % P_{NOM} / 10 °C

Outputs & Digital Input	
Relays	
type	N.O. contact
load rating	250 V _{AC} / 4 A 30 V _{DC} / 4 A
Transistors	
type	Opto-MOS
load rating	max. 100 V _{DC} / 100 mA
Digital Input	
type	optoisolated
maximum voltage	265 V _{AC} (460 V _{AC} for overvoltage category II)
voltage for "logical 1"	>= 90 V _{AC}
voltage for "logical 0"	<= 30 V _{AC}
input power (impedance)	< 0.4 VA (Ri = 200 kΩ)

Other Specifications	
meas. voltage loss & external alarm response time (output disconnect.)	<= 20 ms
operational temperature :	- 20 to 60°C
storage temperature	- 40 to 80°C
operational and storage humidity	< 95 % - non-condensable environment
EMC – immunity	EN 61000 – 4 - 2 (4kV / 8kV) EN 61000 – 4 - 3 (10 V/m up to 1 GHz) EN 61000 – 4 - 4 (2 kV) EN 61000 – 4 - 5 (2 kV) EN 61000 – 4 - 6 (3 V) EN 61000 – 4 - 11 (5 periods)
EMC – emissions	EN 55011, class A EN 55022, class A (not for home use)
service communication port	USB 2.0, not isolated
remote communication ports (option)	RS-485 / 2400÷460800 Bd / protocols KMB, Modbus-RTU Ethernet 100 Base-T / DHCP, webserver, Modbus-TCP
display	segment LCD-FSTN with backlight
protection class front panel back panel	IP 40 (IP 54 with cover sheeting) IP 20
dimensions front panel built-in depth installation cutout	144 x 144 mm 70 mm 138 ⁺¹ x 138 ⁺¹ mm
mass	max. 0.5 kg

9. Maintenance, Service

The NOVAR 2400 instruments do not require any maintenance in their operation. For reliable operation it is only necessary to meet the operating conditions specified and not expose the instrument to violent handling and contact with water or chemicals which could cause mechanical damage.

In the case of failure or a breakdown of the product, you should contact the supplier at their address:

Supplier :

Manufacturer :

KMB systems, s.r.o.

Dr. M. Horákové 559

460 06 LIBEREC 7

Czech Republic

Phone+420 485 130 314

Fax +420 482 736 896

E-mail: kmb@kmb.cz

Website: www.kmbsystems.eu

The product must be in proper packaging to prevent damage during transit. A description of the problem or its symptoms must be delivered together with the product.

If a warranty repair is claimed, the warranty certificate must be sent in. In case of an out-of-warranty repair you have to enclose an order for the repair.

Warranty Certificate

Warranty period of 24 months from the date of purchase is provided for the instrument, however, no longer than 30 months from the day of dispatch from the manufacturer. Problems in the warranty period, provably because of faulty workmanship, design or inconvenient material, will be repaired free of charge by the manufacturer or an authorized servicing organization.

The warranty ceases even within the warranty period if the user makes unauthorized modifications or changes to the instrument, connects it to out-of-range quantities, if the instrument is damaged due to ineligible or improper handling by the user, or when it is operated in contradiction with the technical specifications presented.

Type of product: **NOVAR**.....

Serial number.....

Date of dispatch:

Final quality inspection:

Manufacturer's seal:

Date of purchase:

Supplier's seal: