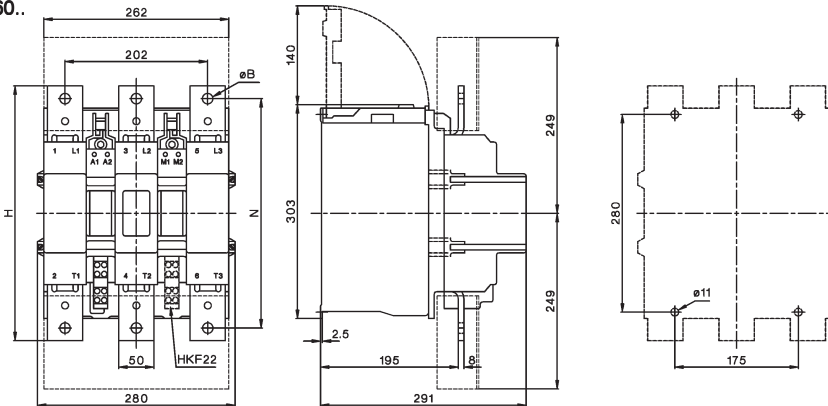


Contactors

Dimensions

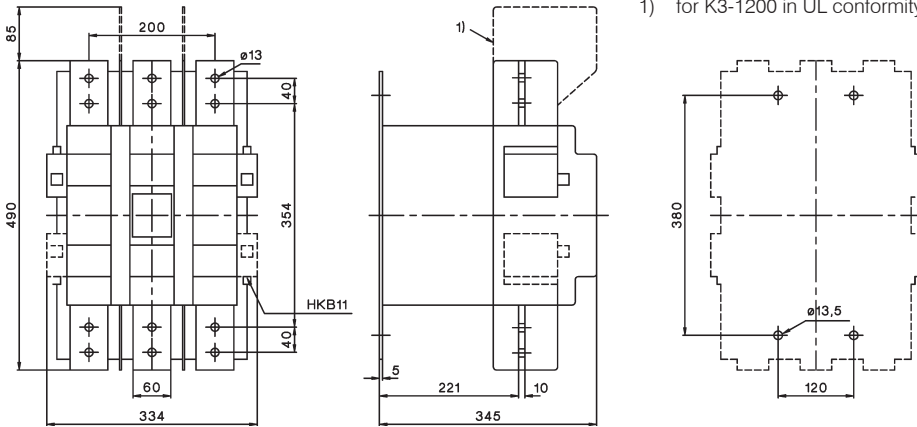
AC and DC operated

K3-700..
K3-860..



Typ	B	H	N
K3-700	13	310	277
K3-860	15	361	325

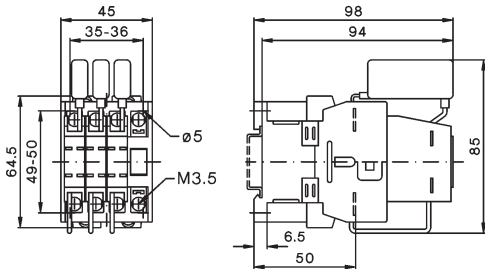
K3-1000..
K3-1200..



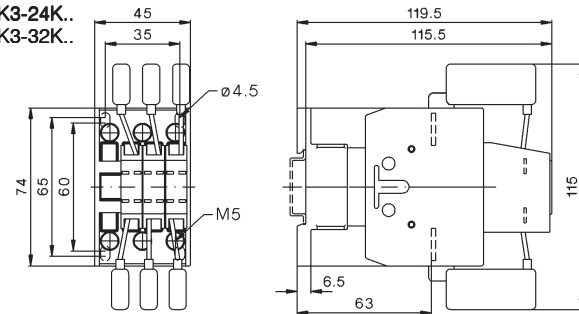
1) for K3-1200 in UL conformity application only

Capacitor switching contactors, AC operated

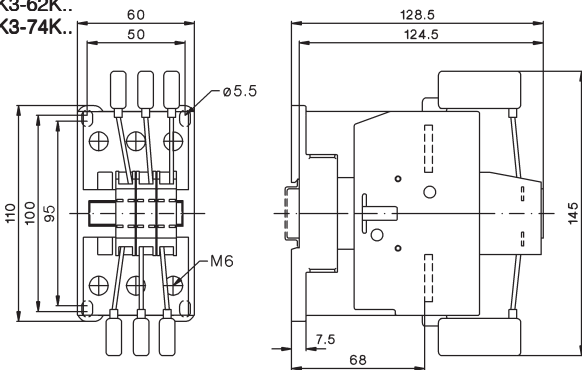
K3-18NK..



K3-24K..
K3-32K..



K3-50K..
K3-62K..
K3-74K..



K3-90K..
K3-115K..

